

Montaj Rehberi

Cable tray system design shall comply with NEC Article 318, NEMA VE 1, and NEMA FG 1, and shall follow safe work practices as described in NFPA 70E. These instructions and information do not intend to cover all details or variations in cable tray systems nor provide for every possible installation contingency.

Construction Experience—It is recommended that the work described be performed by qualified persons familiar with standard electrical construction practices, electrical equipment, and safety of electrical wiring systems.

When considering the installation of the cable supports system it is imperative to avoid the cutting or drilling of structural building members without the approval of the project leader on site.

Cable ladders, cable trays, wire mesh cable trays and their supports should be strong enough to meet the load requirements of the cable management system including cables and any future cable additions and any other additional loads applied to the system.

Cable Tray Supports

Destek Sistemleri

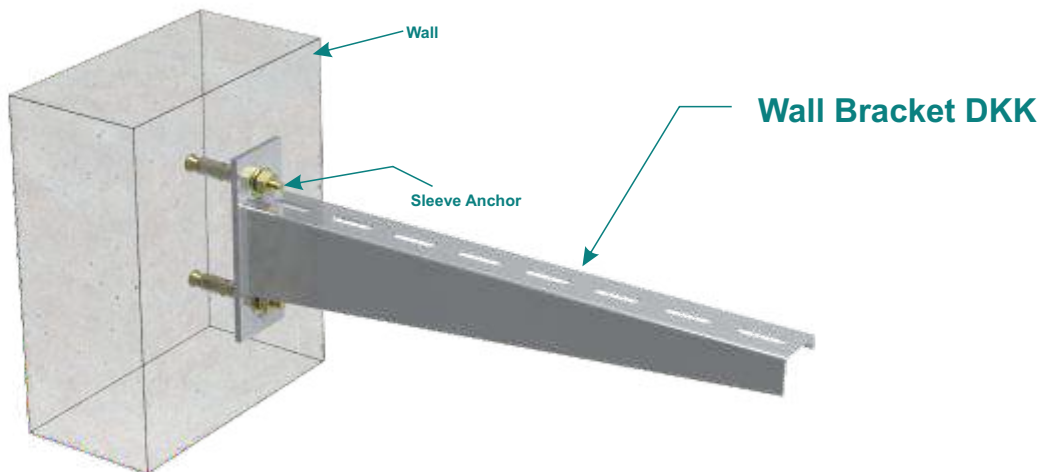
Support systems can be broken down into a number of elements or components.

To design a safe system it is necessary to check each element in turn to ensure:

- that it can safely support the loads being imposed upon it, and
- that the proposed fixings to adjacent components are also sufficient for the intended load and
- that any declared deflection limits are not exceeded.

Horizontal Wall and Profile Brackets

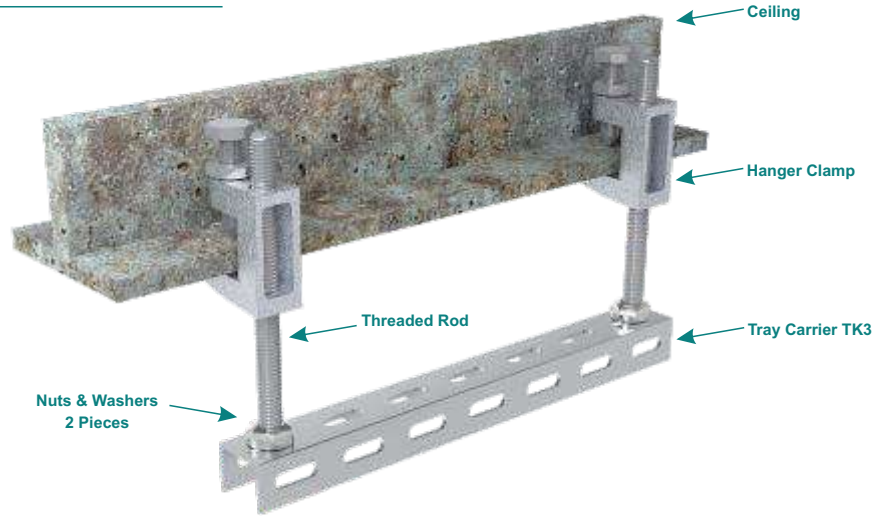
Duvar Konsolları



Montaj Rehberi

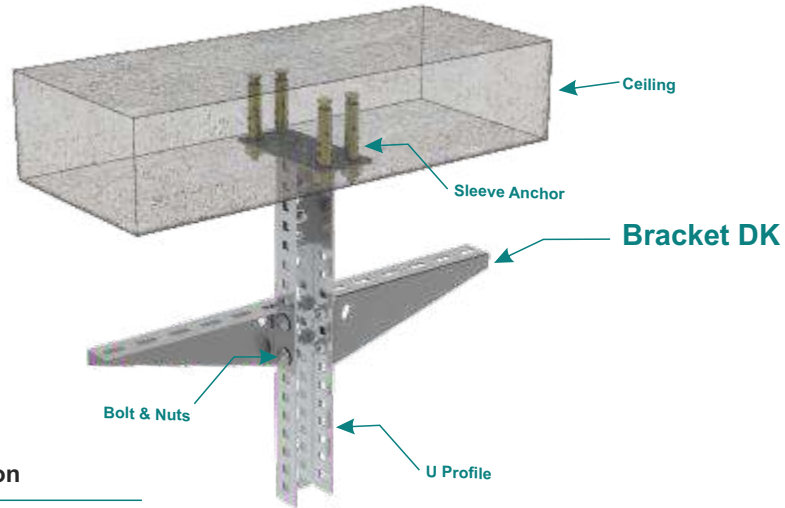
Threaded Rod

Tijli Askı Taşıyıcılar



U Support, C Support, I Support, L Support

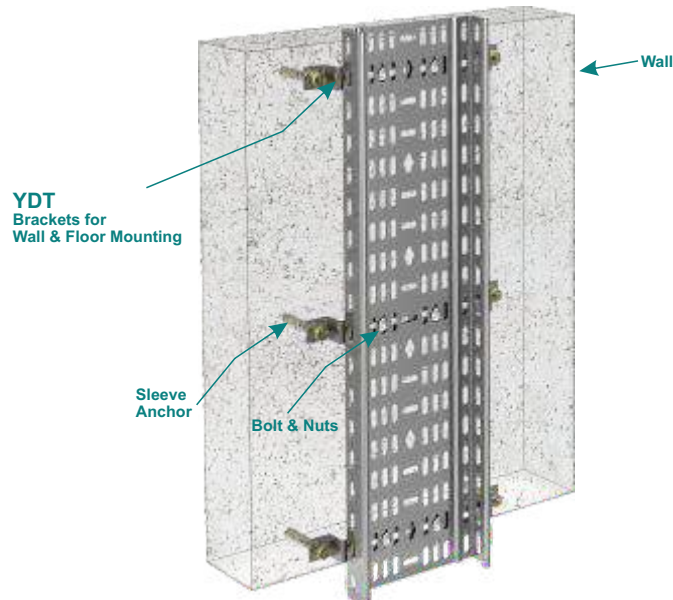
U,C,L ve L Destek Sistemleri



Vertical Wall or Floor Application

Yere ve Duvara Sabitleme Elemanı

Cable tray should not be laid exactly on the floor or roof. It should be mounted far enough off the floor or roof to allow the cables to exit through the bottom of the cable tray

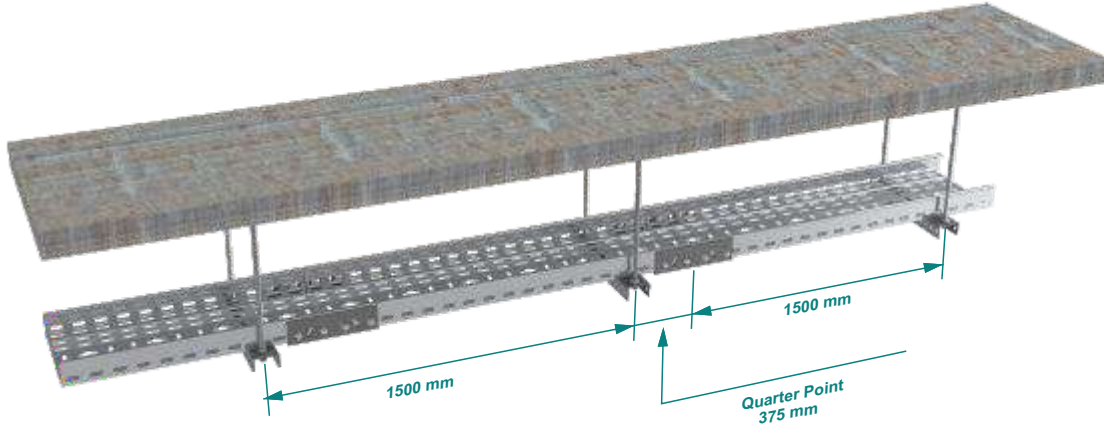


Montaj Rehberi

Straight Section Position

Boy Kanalların Uygulaması

When supports are installed, the installation of the cable tray can begin at any place that is convenient. It is not necessary to start at one end of the run. It is ideal to lay out the system so that tray connectors fall between the support and the quarter point. This maximizes the rigidity of the cable tray.

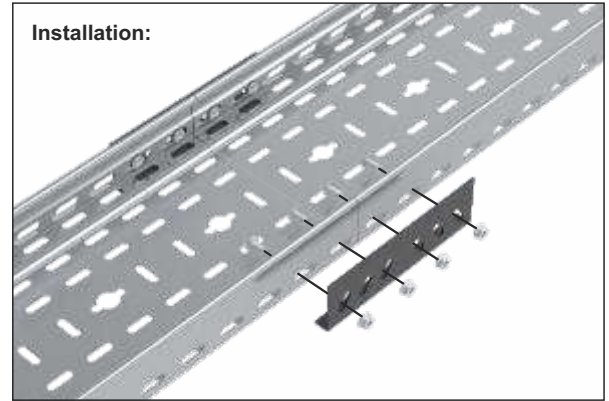


The support span should not be greater than the straight section length to ensure no more than one connector is located between supports. As a general practice, avoid placing connector over supports or at mid-span. However, certain cable tray systems and certain connection plate designs allow for random coupling location.

Straight connectors (couplers, splice plates)

Birleştirme Ek Elemanı

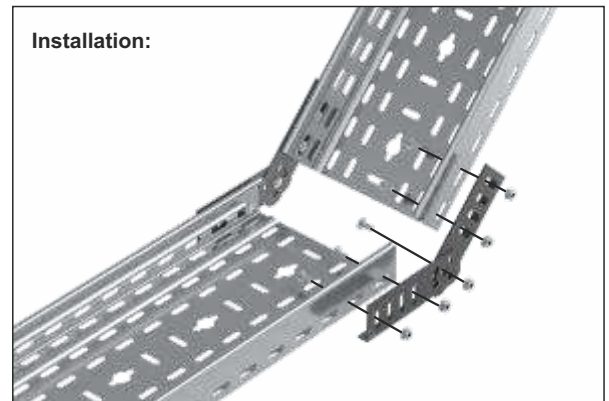
Place the next straight section across the next support, and attach it to the previous section with a pair of connection plates and hardware. Connection plates should be placed on the outside of the cable tray, with the bolt heads on the inside of the cable tray. Metal Cable tray connectors require bonding for electrical continuity. Supports should be located within 600 mm of each side of connection plates.



Vertical adjustable connectors (splice plates)

Dikey Seviye Değişirme Eki

For changes in vertical direction not requiring a radius, vertical adjustable connectors can be used. Supports should be located within 600 mm of each side of vertical adjustable connectors.



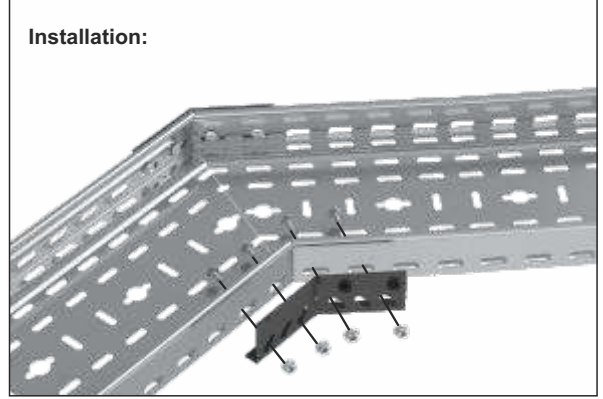
Montaj Rehberi

Horizontal Adjustable Connectors (Splice Plates)

Yatay Seviye Deęiřtirme Eki

For changes in horizontal direction not requiring a radius, horizontal adjustable connectors can be used. Supports should be located within 600 mm of each side of horizontal adjustable connectors.

Installation:

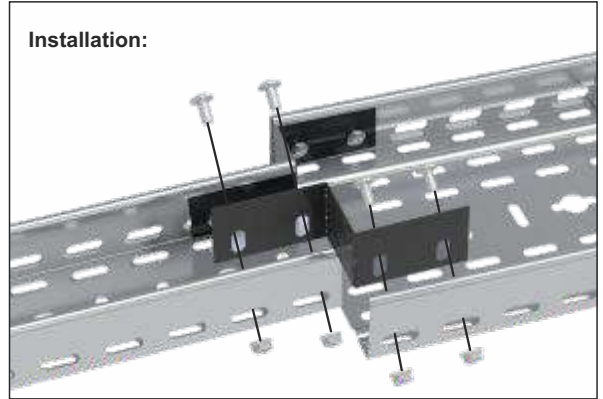


Reducer Connector (Set)

Paralı Redüksiyon Eki (Takım)

For immediate width changes, use reducing bend or partial reducer. Supports should be located within 600 mm of each side of reducers.

Installation:



Stop Ends (End Plates)

Sonlandırma

For dead-end closure indicating termination of cable tray run use stop ends.

Installation:

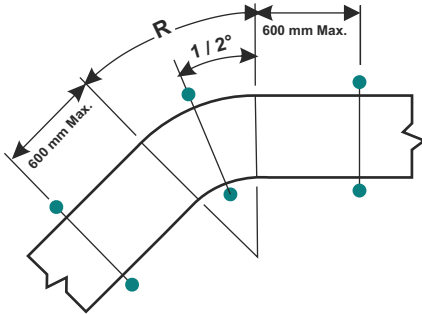


Montaj Rehberi

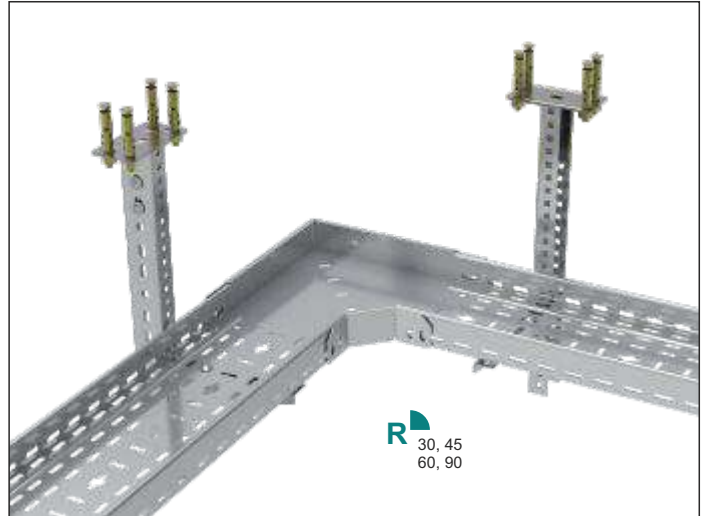
Horizontal Elbow Support

Yatay Dönüş Desteği

Supports for horizontal cable tray fittings should be placed within 600 mm of each fitting extremity, and as follows:



- 90° supports at the 45° point of arc.
- 60° supports at the 30° point of arc.
- 45° supports at the 22-1/2° point of arc (except for the 300 mm radius).
- 30° supports at the 15° point of arc (except for the 300 mm radius).

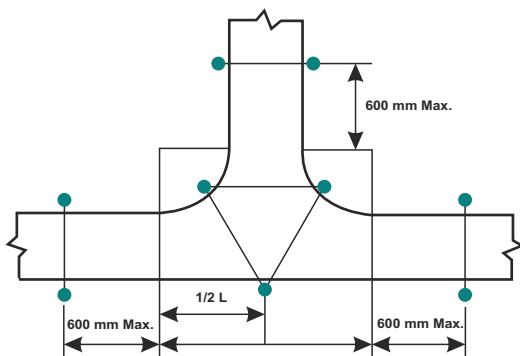


Central support not required on 300mm radius 30° and 45° fittings

Horizontal Tee Support

T-Dönüş Desteği

Supports for horizontal cable tray fittings should be placed within 600 mm of each fitting extremity, and as follows:



- 90° supports at the 45° point of arc.
- 60° supports at the 30° point of arc.
- 45° supports at the 22-1/2° point of arc (except for the 300 mm radius).
- 30° supports at the 15° point of arc (except for the 300 mm radius).



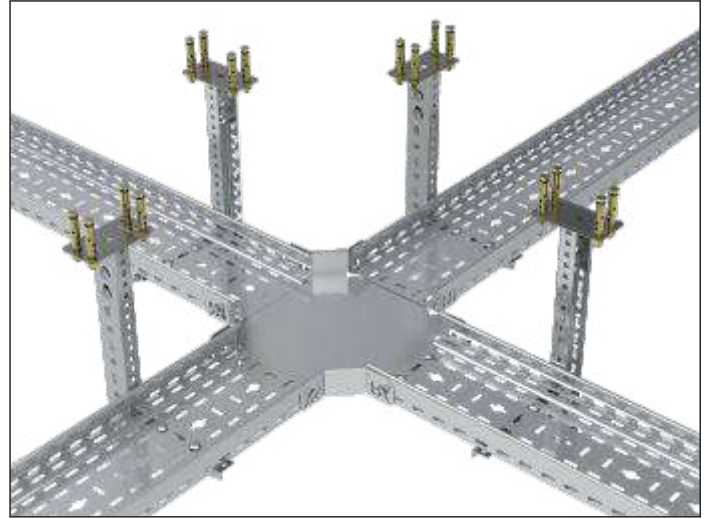
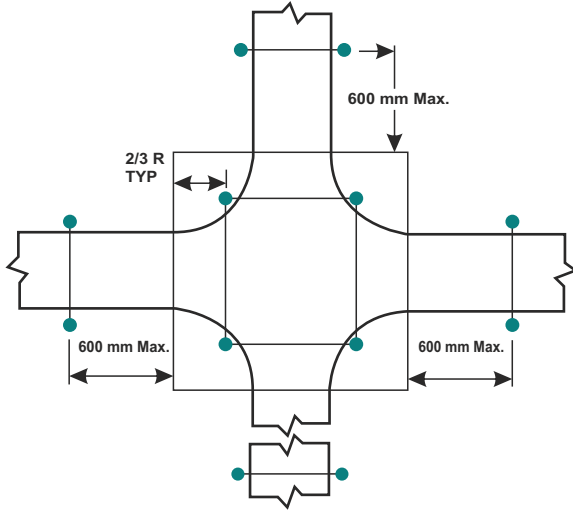
Central support not required on 300mm radius fittings

Montaj Rehberi

Horizontal Cross Support

Dörtlü Bağlantı Desteği

Place horizontal cross support within 600 mm of each of the four openings connected to other cable tray items for the 300 mm radius. On all other radius, at least one additional support should be placed under each side rail of the horizontal cross, preferably as shown.

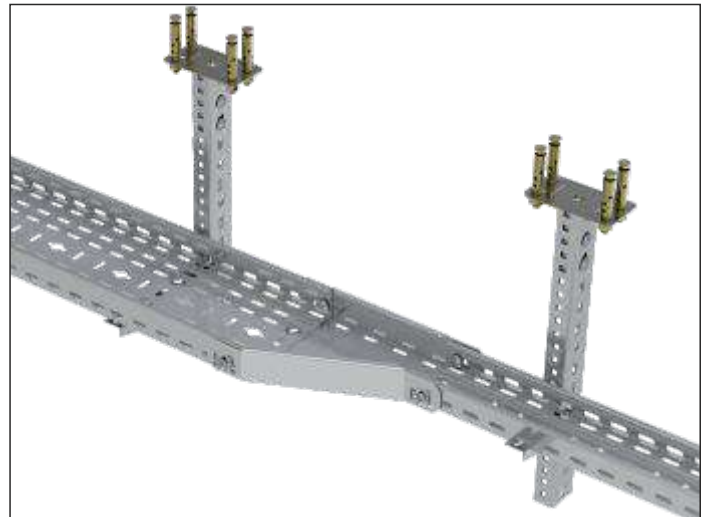
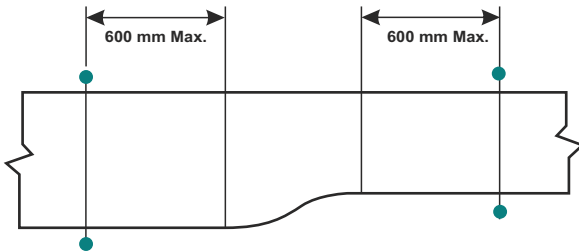


Central support not required on 300mm radius fittings

Reducer Support

Redüksiyon Desteği

Place reducer supports within 600 mm of each fitting extremity.

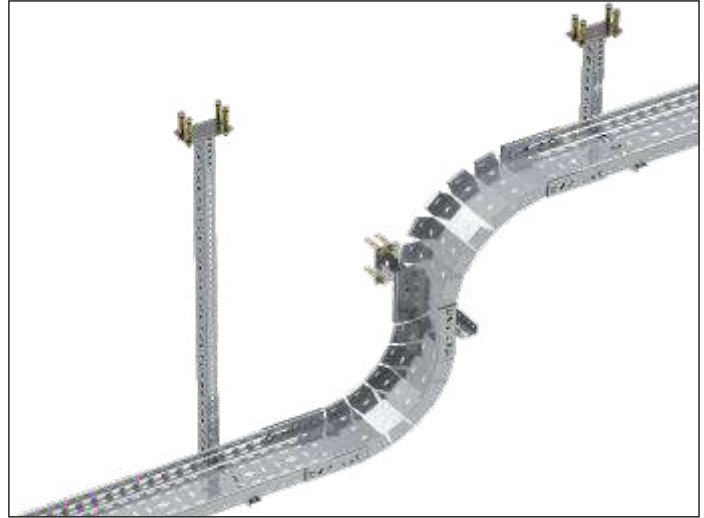
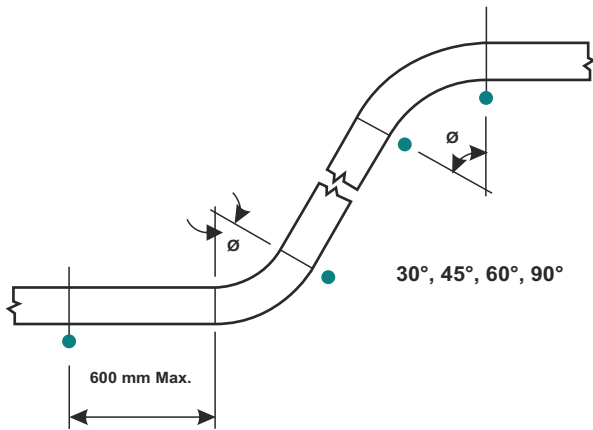


Montaj Rehberi

Vertical Cable Tray Elbow

İç Dış Bükey Desteği

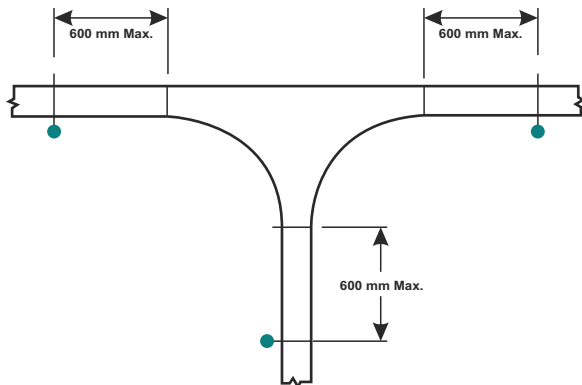
Vertical cable tray elbows at the top of runs should be supported at each end. At the bottom of runs, they should be supported at the top of the elbow and within 600 mm of the lower extremity of the elbows.



Vertical Cable Tray Tee Support

Dikey T Bükey Desteği

Vertical cable tray tees should be supported within 600 mm of each fitting extremity.



Side View

