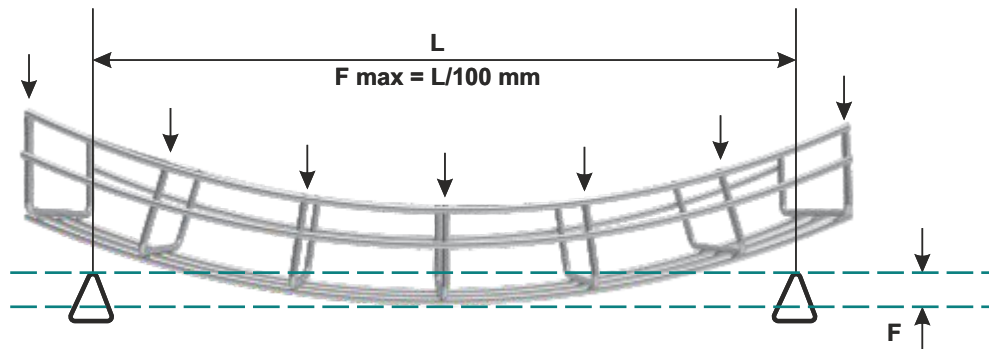


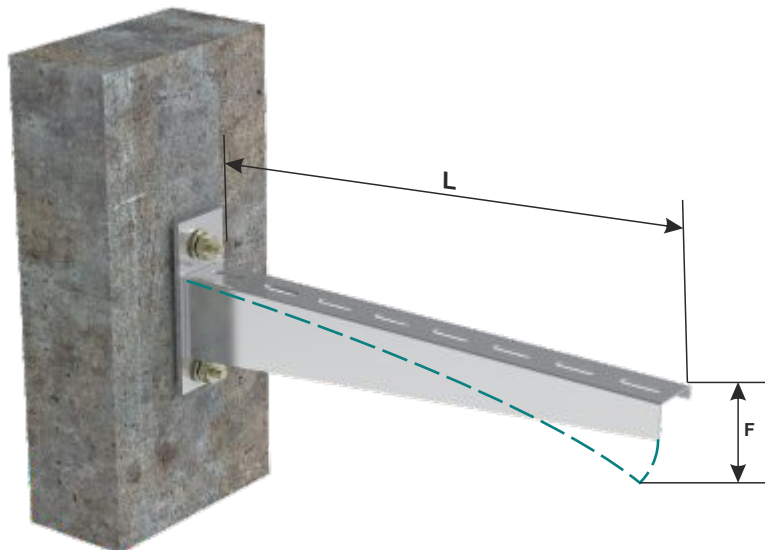
## Teknik Bilgiler

### Tray and support deformation

The weight of cables deforms trays, the most visible point being in the centre between supports. The allowable value (F) of deformation is purely aesthetic, always taking care not to exceed the values indicated by the manufacturer, which, in accordance with international standard EN 61537, should be as follows:



On supports, maximum F deformation and twisting occurs at the ends. The standard requires that the maximum  $F = L/20 \text{ mm}$ . The deformation, F is called deflection, and is expressed in mm.



### Earthing (Electrical continuity)

All metal tray systems must have proper electrical continuity. However, to ensure safety, it is advisable to make an earth connection using a suitable conductor for each part of the system. This cannot be done on painted or epoxy-coated trays without removing the protective layer at that point and at the join-points between the various lengths, which will inevitably lead to oxidation. Without ensuring safety

