

## Integrated Perforated Cable Trays - Return Flanges

Geçmeli Tip Kablo Kanalı - Интегрированные Перфорированные лотки



Important!  
Joining cable tray sections together only use  
Screw Sets CFS M6 or CFS M8

### Pre - Galvanised

FPK ... H40		0.6mm		
CODE	Width a mm	Length L mm	kg 1 pc	pcs
FPK 405 06 PG	50	3000	0.56	2
FPK 407 06 PG	75	3000	0.66	2
FPK 410 06 PG	100	3000	0.75	2
FPK 412 06 PG	125	3000	0.85	2
FPK 415 06 PG	150	3000	0.94	2
FPK 420 06 PG	200	3000	1.13	2

FPK ... H40		0.7mm		
CODE	Width a mm	Length L mm	kg 1 pc	pcs
FPK 405 07 PG	50	3000	0.70	2
FPK 407 07 PG	75	3000	0.82	2
FPK 410 07 PG	100	3000	0.93	2
FPK 412 07 PG	125	3000	1.03	2
FPK 415 07 PG	150	3000	1.17	2
FPK 420 07 PG	200	3000	1.40	2

FPK ... H40		0.8mm		
CODE	Width a mm	Length L mm	kg 1 pc	pcs
FPK 405 08 PG	50	3000	0.74	2
FPK 407 08 PG	75	3000	0.87	2
FPK 410 08 PG	100	3000	0.99	2
FPK 412 08 PG	125	3000	1.12	2
FPK 415 08 PG	150	3000	1.25	2
FPK 420 08 PG	200	3000	1.50	2
FPK 422 08 PG	225	3000	1.62	2
FPK 425 08 PG	250	3000	1.74	2
FPK 430 08 PG	300	3000	2.00	2

FPK ... H40		1.0mm		
CODE	Width a mm	Length L mm	kg 1 pc	pcs
FPK 405 10 PG	50	3000	0.92	2
FPK 407 10 PG	75	3000	1.08	2
FPK 410 10 PG	100	3000	1.23	2
FPK 412 10 PG	125	3000	1.39	2
FPK 415 10 PG	150	3000	1.55	2
FPK 420 10 PG	200	3000	1.86	2
FPK 422 10 PG	225	3000	2.02	2
FPK 425 10 PG	250	3000	2.18	2
FPK 430 10 PG	300	3000	2.49	2
FPK 440 10 PG	400	3000	3.12	2
FPK 445 10 PG	450	3000	3.29	2
FPK 450 10 PG	500	3000	3.60	2
FPK 460 10 PG	600	3000	4.20	2

FPK ... H40		1.2mm		
CODE	Width a mm	Length L mm	kg 1 pc	pcs
FPK 445 12 PG	450	3000	4.12	2
FPK 450 12 PG	500	3000	4.50	2
FPK 460 12 PG	600	3000	5.25	2

### FPK H40

This diagram complies with IEC 61537 with connection to 1/5 of the span and the end span = 0.8x the span  
 $Q = \text{max. admissible load (kg/m)}$   
 $L = \text{support distance (m)}$   
 $f = \text{Deflection (mm)} / \text{Max. deflection} = L/100$   
 Safety co-efficient = 1.5

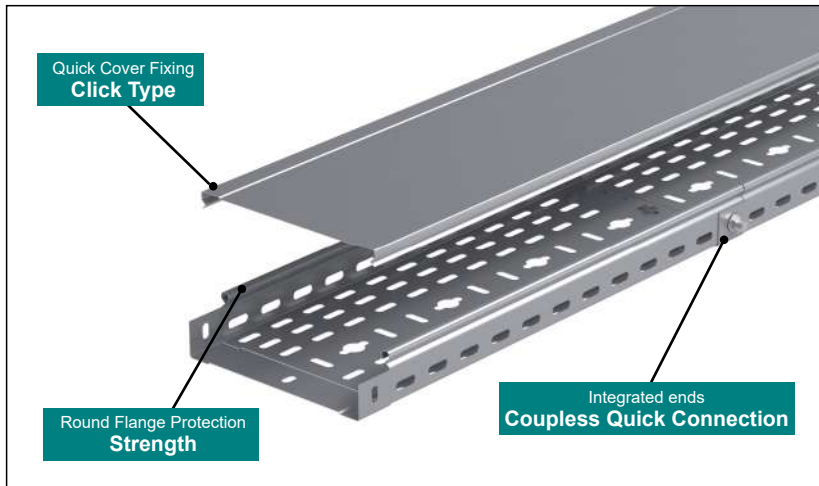
Width	Usable Cross-Section
50	18 cm <sup>2</sup>
100	38 cm <sup>2</sup>
150	58 cm <sup>2</sup>
200	78 cm <sup>2</sup>
300	118 cm <sup>2</sup>
400	158 cm <sup>2</sup>
500	198 cm <sup>2</sup>
600	238 cm <sup>2</sup>

APPLICATIONS  
Cable routing

MATERIAL  
Steel, strip-galv. acc. to the Sendzimir method to TS-EN 10346:2011 (PG)

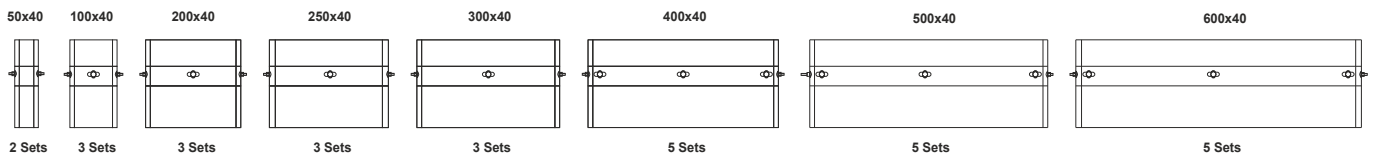
Available finishes:  
 HDG-steel, hot-dip galv. to TS-EN ISO 1461:2011 (HDG)  
 SS- stainless steel AISI 304L and AISI 316L (SS)  
 EP- powder coating in a full range of colours (RAL)

Thickn. (ga) [mm]: **0.6 0.8 1.0 1.2**



Recommended Quantities of Bolt and Nut For Integrated Cable Tray Connections									
Width Of Cable Tray	W	H	40	50	60	75	80	85	100
	50	2 Sets	2 Sets	2 Sets	-	-	-	-	-
100	3 Sets	3 Sets	3 Sets	5 Sets	5 Sets	5 Sets	5 Sets	5 Sets	5 Sets
150	3 Sets	3 Sets	3 Sets	5 Sets	5 Sets	5 Sets	5 Sets	5 Sets	5 Sets
200	3 Sets	3 Sets	3 Sets	5 Sets	5 Sets	5 Sets	5 Sets	5 Sets	5 Sets
250	3 Sets	3 Sets	3 Sets	5 Sets	5 Sets	5 Sets	5 Sets	5 Sets	5 Sets
300	3 Sets	3 Sets	3 Sets	5 Sets	5 Sets	5 Sets	5 Sets	5 Sets	5 Sets
400	5 Sets	5 Sets	5 Sets	7 Sets	7 Sets	7 Sets	7 Sets	7 Sets	7 Sets
500	5 Sets	5 Sets	5 Sets	7 Sets	7 Sets	7 Sets	7 Sets	7 Sets	7 Sets
600	5 Sets	5 Sets	5 Sets	7 Sets	7 Sets	7 Sets	7 Sets	7 Sets	7 Sets

### Recommended Quantities of Bolt and Nut For Integrated Cable Tray Connections



## Integrated Perforated Cable Trays - Return Flanges

Geçmeli Tip Kablo Kanalı - Интегрированные Перфорированные лотки



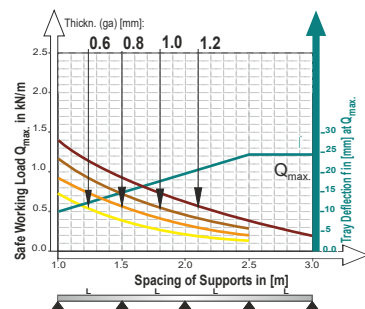
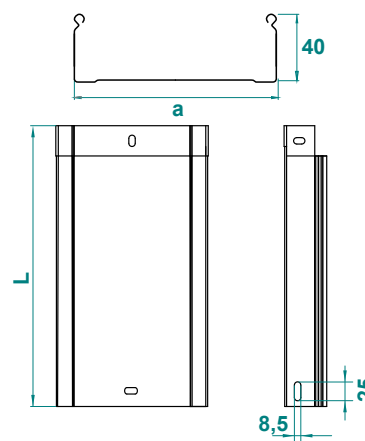
Important!  
Joining cable tray sections together only use  
Screw Sets CFS M6 or CFS M8

### Pre - Galvanised

FDK ... H40		0.6mm		
CODE	Width a mm	Length L mm	kg 1 pc	pcs
FDK 405 06 PG	50	3000	0.70	2
FDK 407 06 PG	75	3000	0.82	2
FDK 410 06 PG	100	3000	0.94	2
FDK 412 06 PG	125	3000	1.06	2
FDK 415 06 PG	150	3000	1.17	2
FDK 420 06 PG	200	3000	1.41	2
		0.7mm		
CODE	Width a mm	Length L mm	kg 1 pc	pcs
FDK 405 07 PG	50	3000	0.82	2
FDK 407 07 PG	75	3000	0.96	2
FDK 410 07 PG	100	3000	1.09	2
FDK 412 07 PG	125	3000	1.23	2
FDK 415 07 PG	150	3000	1.37	2
FDK 420 07 PG	200	3000	1.64	2
		0.8mm		
CODE	Width a mm	Length L mm	kg 1 pc	pcs
FDK 405 08 PG	50	3000	0.93	2
FDK 407 08 PG	75	3000	1.09	2
FDK 410 08 PG	100	3000	1.24	2
FDK 412 08 PG	125	3000	1.40	2
FDK 415 08 PG	150	3000	1.56	2
FDK 420 08 PG	200	3000	1.87	2
FDK 422 08 PG	225	3000	2.03	2
FDK 425 08 PG	250	3000	2.18	2
FDK 430 08 PG	300	3000	2.50	2

FPK ... H40		1.0mm		
CODE	Width a mm	Length L mm	kg 1 pc	pcs
FDK 405 10 PG	50	3000	1.15	2
FDK 407 10 PG	75	3000	1.35	2
FDK 410 10 PG	100	3000	1.54	2
FDK 412 10 PG	125	3000	1.74	2
FDK 415 10 PG	150	3000	1.94	2
FDK 420 10 PG	200	3000	2.33	2
FDK 422 10 PG	225	3000	2.52	2
FDK 425 10 PG	250	3000	2.72	2
FDK 430 10 PG	300	3000	3.11	2
FDK 440 10 PG	400	3000	3.90	2
FDK 445 10 PG	450	3000	4.12	2
FDK 450 10 PG	500	3000	4.49	2
FDK 460 10 PG	600	3000	5.24	2
		1.2mm		
CODE	Width a mm	Length L mm	kg 1 pc	pcs
FDK 445 12 PG	450	3000	5.15	2
FDK 450 12 PG	500	3000	5.62	2
FDK 460 12 PG	600	3000	6.56	2

### FDK H40



This diagram comply with IEC 61537 with connection to 1/5

of the span and the end span = 0.8x the span

Q = max. admissible load (kg/m)

L = support distance (m)

f = Deflection (mm) / Max. deflection = L/100

Safety co-efficient = 1.5

Width	Usable Cross-Section
50	18 cm <sup>2</sup>
100	38 cm <sup>2</sup>
150	58 cm <sup>2</sup>
200	78 cm <sup>2</sup>
300	118 cm <sup>2</sup>
400	158 cm <sup>2</sup>
500	198 cm <sup>2</sup>
600	238 cm <sup>2</sup>

### APPLICATIONS

Cable routing

### MATERIAL

Steel, strip-galv. acc. to the Sendzimir method to TS-EN 10346:2011 (PG)

Available finishes:

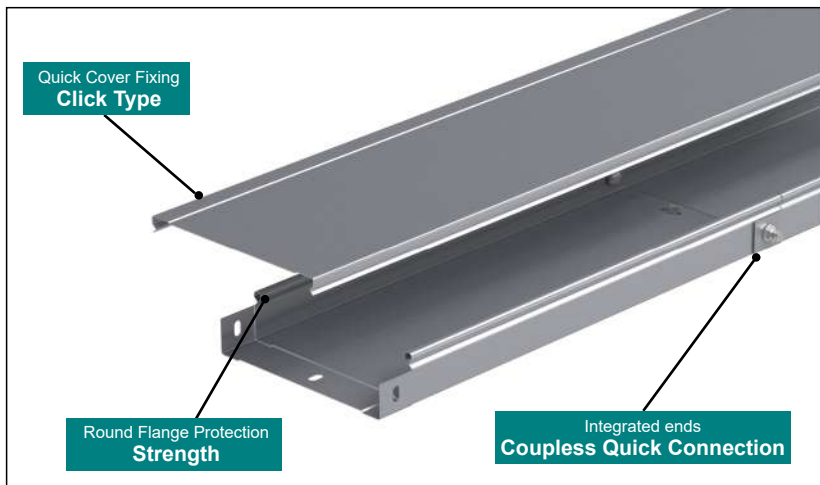
HDG-steel, hot-dip galv. to TS-EN ISO 1461:2011 (HDG)

SS- stainless steel AISI 304L and AISI 316L (SS)

EP- powder coating in a full range of colours (RAL)

Thickn. (ga) [mm]:

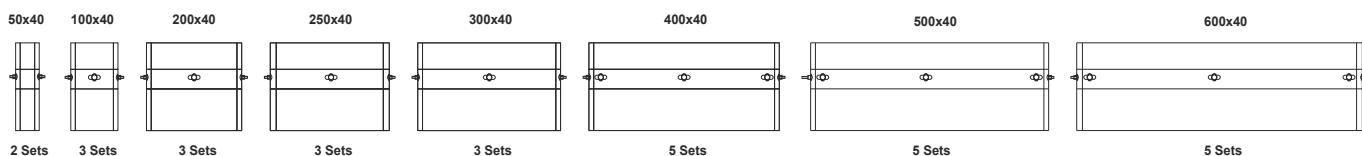
0.6 0.8 1.0 1.2



### Recommended Quantities of Bolt and Nut For Integrated Cable Tray Connections

Width of Cable Tray	W	H	40	50	60	75	80	85	100
			50	2 Sets	2 Sets	2 Sets	-	-	-
100	3 Sets	3 Sets	3 Sets	5 Sets	5 Sets	5 Sets	5 Sets		
150	3 Sets	3 Sets	3 Sets	5 Sets	5 Sets	5 Sets	5 Sets		
200	3 Sets	3 Sets	3 Sets	5 Sets	5 Sets	5 Sets	5 Sets		
250	3 Sets	3 Sets	3 Sets	5 Sets	5 Sets	5 Sets	5 Sets		
300	3 Sets	3 Sets	3 Sets	5 Sets	5 Sets	5 Sets	5 Sets		
400	5 Sets	5 Sets	5 Sets	7 Sets	7 Sets	7 Sets	7 Sets		
500	5 Sets	5 Sets	5 Sets	7 Sets	7 Sets	7 Sets	7 Sets		
600	5 Sets	5 Sets	5 Sets	7 Sets	7 Sets	7 Sets	7 Sets		

### Recommended Quantities of Bolt and Nut For Integrated Cable Tray Connections



## Integrated Perforated Cable Trays - Return Flanges

Geçmeli Tip Kablo Kanalı - Интегрированные Перфорированные лотки



Important!  
Joining cable tray sections together only use  
Screw Sets CFS M6 or CFS M8

### Pre - Galvanised

FPK ... H50		0.6mm		
CODE	Width a mm	Length L mm	kg 1 pc	pcs
FPK 505 06 PG	50	3000	0.64	2
FPK 507 06 PG	75	3000	0.73	2
FPK 510 06 PG	100	3000	0.82	2
FPK 512 06 PG	125	3000	0.92	2
FPK 515 06 PG	150	3000	1.02	2
FPK 520 06 PG	200	3000	1.20	2

FPK ... H50		0.7mm		
CODE	Width a mm	Length L mm	kg 1 pc	pcs
FPK 505 07 PG	50	3000	0.80	2
FPK 507 07 PG	75	3000	0.91	2
FPK 510 07 PG	100	3000	1.02	2
FPK 512 07 PG	125	3000	1.14	2
FPK 515 07 PG	150	3000	1.26	2
FPK 520 07 PG	200	3000	1.49	2

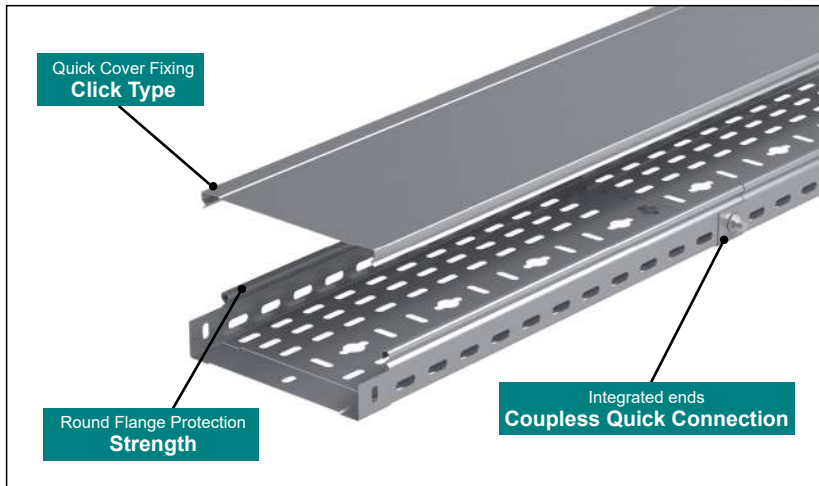
  

FPK ... H50		0.8mm		
CODE	Width a mm	Length L mm	kg 1 pc	pcs
FPK 505 08 PG	50	3000	0.84	2
FPK 507 08 PG	75	3000	0.97	2
FPK 510 08 PG	100	3000	1.10	2
FPK 512 08 PG	125	3000	1.22	2
FPK 515 08 PG	150	3000	1.34	2
FPK 520 08 PG	200	3000	1.60	2
FPK 522 08 PG	225	3000	1.72	2
FPK 525 08 PG	250	3000	1.85	2
FPK 530 08 PG	300	3000	2.10	2

FPK ... H50		1.0mm		
CODE	Width a mm	Length L mm	kg 1 pc	pcs
FPK 505 10 PG	50	3000	1.05	2
FPK 507 10 PG	75	3000	1.20	2
FPK 510 10 PG	100	3000	1.36	2
FPK 512 10 PG	125	3000	1.52	2
FPK 515 10 PG	150	3000	1.67	2
FPK 520 10 PG	200	3000	1.99	2
FPK 522 10 PG	225	3000	2.14	2
FPK 525 10 PG	250	3000	2.30	2
FPK 530 10 PG	300	3000	2.62	2
FPK 540 10 PG	400	3000	3.25	2
FPK 545 10 PG	450	3000	3.41	2
FPK 550 10 PG	500	3000	3.72	2
FPK 560 10 PG	600	3000	4.32	2

FPK ... H50		1.2mm		
CODE	Width a mm	Length L mm	kg 1 pc	pcs
FPK 545 12 PG	450	3000	4.27	2
FPK 550 12 PG	500	3000	4.65	2
FPK 560 12 PG	600	3000	5.40	2



### FPK H50

This diagram comply with IEC 61537 with connection to 1/5 of the span and the end span = 0,8x the span  
 $Q = \text{max. admissible load (kg/m)}$   
 $L = \text{support distance (m)}$   
 $f = \text{Deflection (mm)} / \text{Max. deflection} = L/100$   
 Safety co-efficient = 1.5

Width	Usable Cross-Section
50	23 cm <sup>2</sup>
100	48 cm <sup>2</sup>
150	73 cm <sup>2</sup>
200	98 cm <sup>2</sup>
300	148 cm <sup>2</sup>
400	198 cm <sup>2</sup>
500	248 cm <sup>2</sup>
600	298 cm <sup>2</sup>

Available finishes:  
 HDG-steel, hot-dip galv. to TS-EN ISO 1461:2011 (HDG)  
 SS- stainless steel AISI 304L and AISI 316L (SS)  
 EP- powder coating in a full range of colours (RAL)

Thickn. (ga) [mm]: 0.6 0.8 1.0 1.2

### Recommended Quantities of Bolt and Nut For Integrated Cable Tray Connections

Width Of Cable Tray	W	H	40	50	60	75	80	85	100
			2 Sets	2 Sets	2 Sets	-	-	-	-
50	3 Sets	3 Sets	3 Sets	5 Sets	5 Sets	5 Sets	5 Sets		
100	3 Sets	3 Sets	3 Sets	5 Sets	5 Sets	5 Sets	5 Sets		
150	3 Sets	3 Sets	3 Sets	5 Sets	5 Sets	5 Sets	5 Sets		
200	3 Sets	3 Sets	3 Sets	5 Sets	5 Sets	5 Sets	5 Sets		
250	3 Sets	3 Sets	3 Sets	5 Sets	5 Sets	5 Sets	5 Sets		
300	3 Sets	3 Sets	3 Sets	5 Sets	5 Sets	5 Sets	5 Sets		
400	5 Sets	5 Sets	5 Sets	7 Sets	7 Sets	7 Sets	7 Sets		
500	5 Sets	5 Sets	5 Sets	7 Sets	7 Sets	7 Sets	7 Sets		
600	5 Sets	5 Sets	5 Sets	7 Sets	7 Sets	7 Sets	7 Sets		

### Recommended Quantities of Bolt and Nut For Integrated Cable Tray Connections



## Integrated Perforated Cable Trays - Return Flanges

Geçmeli Tip Kablo Kanalı - Интегрированные Перфорированные лотки

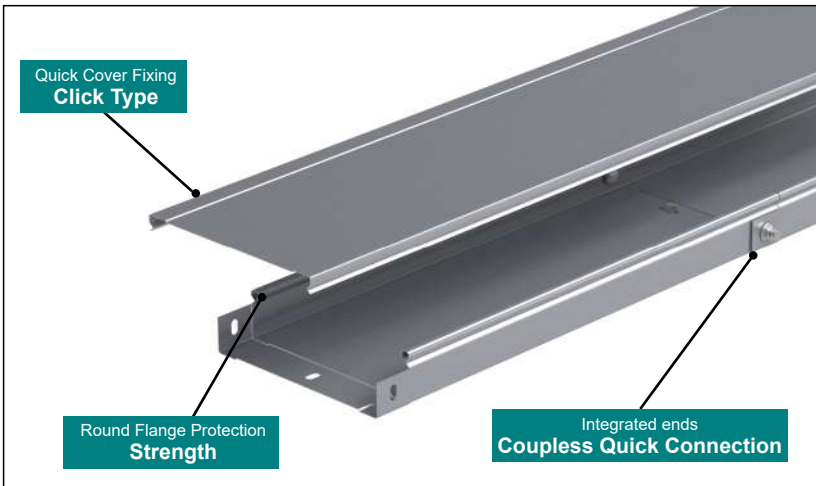


Important!  
Joining cable tray sections together only use  
Screw Sets CFS M6 or CFS M8

### Pre - Galvanised

FDK ... H50		0.6mm			
CODE	Width a mm	Length L mm	KG 1 pc	pcs	
FDK 505 06 PG	50	3000	0.80	2	
FDK 507 06 PG	75	3000	0.91	2	
FDK 510 06 PG	100	3000	1.03	2	
FDK 512 06 PG	125	3000	1.15	2	
FDK 515 06 PG	150	3000	1.27	2	
FDK 520 06 PG	200	3000	1.50	2	
		0.7mm			
CODE	Width a mm	Length L mm	KG 1 pc	pcs	
FDK 505 07 PG	50	3000	0.93	2	
FDK 5507 07 PG	75	3000	1.07	2	
FDK 510 07 PG	100	3000	1.20	2	
FDK 512 07 PG	125	3000	1.34	2	
FDK 515 07 PG	150	3000	1.48	2	
FDK 520 07 PG	200	3000	1.75	2	
		0.8mm			
CODE	Width a mm	Length L mm	KG 1 pc	pcs	
FDK 505 08 PG	50	3000	1.05	2	
FDK 507 08 PG	75	3000	1.21	2	
FDK 510 08 PG	100	3000	1.37	2	
FDK 512 08 PG	125	3000	1.52	2	
FDK 515 08 PG	150	3000	1.68	2	
FDK 520 08 PG	200	3000	2.00	2	
FDK 522 08 PG	225	3000	2.15	2	
FDK 525 08 PG	250	3000	2.31	2	
FDK 530 08 PG	300	3000	2.62	2	

FPK ... H50		1.0mm			
CODE	Width a mm	Length L mm	KG 1 pc	pcs	
FDK 505 10 PG	50	3000	1.31	2	
FDK 507 10 PG	75	3000	1.50	2	
FDK 510 10 PG	100	3000	1.70	2	
FDK 512 10 PG	125	3000	1.90	2	
FDK 515 10 PG	150	3000	2.09	2	
FDK 520 10 PG	200	3000	2.49	2	
FDK 522 10 PG	225	3000	2.68	2	
FDK 525 10 PG	250	3000	2.88	2	
FDK 530 10 PG	300	3000	3.27	2	
FDK 540 10 PG	400	3000	4.06	2	
FDK 545 10 PG	450	3000	4.27	2	
FDK 550 10 PG	500	3000	4.64	2	
FDK 560 10 PG	600	3000	5.40	2	
		1.2mm			
CODE	Width a mm	Length L mm	KG 1 pc	pcs	
FDK 545 12 PG	450	3000	5.34	2	
FDK 550 12 PG	500	3000	5.81	2	
FDK 560 12 PG	600	3000	6.75	2	



### FDK H50

This diagram comply with IEC 61537 with connection to 1/5 of the span and the end span = 0,8x the span  
 $Q = \text{max. admissible load (kg/m)}$   
 $L = \text{support distance (m)}$   
 $f = \text{Deflection (mm)} / \text{Max. deflection} = L/100$   
 Safety co-efficient = 1.5

Width	Usable Cross-Section
50	18 cm <sup>2</sup>
100	38 cm <sup>2</sup>
150	58 cm <sup>2</sup>
200	78 cm <sup>2</sup>
300	118 cm <sup>2</sup>
400	158 cm <sup>2</sup>
500	198 cm <sup>2</sup>
600	238 cm <sup>2</sup>

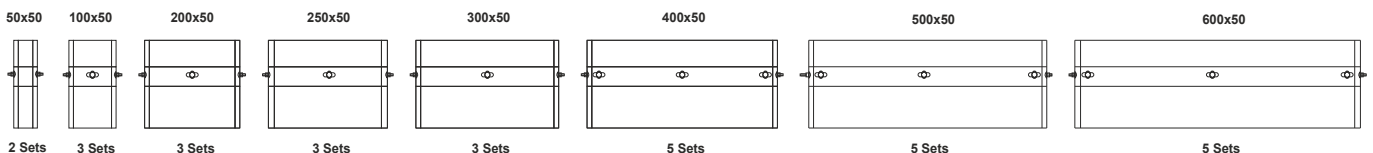
Available finishes:  
 HDG-steel, hot-dip galv. to TS-EN ISO 1461:2011 (HDG)  
 SS- stainless steel AISI 304L and AISI 316L (SS)  
 EP- powder coating in a full range of colours (RAL)

Thickn. (ga) [mm]: **0.6 0.8 1.0 1.2**

### Recommended Quantities of Bolt and Nut For Integrated Cable Tray Connections

Width of Cable Tray	W	H	H						
			40	50	60	75	80	85	100
50	2 Sets	2 Sets	2 Sets	-	-	-	-	-	-
100	3 Sets	3 Sets	3 Sets	5 Sets	5 Sets	5 Sets	5 Sets	5 Sets	5 Sets
150	3 Sets	3 Sets	3 Sets	5 Sets	5 Sets	5 Sets	5 Sets	5 Sets	5 Sets
200	3 Sets	3 Sets	3 Sets	5 Sets	5 Sets	5 Sets	5 Sets	5 Sets	5 Sets
250	3 Sets	3 Sets	3 Sets	5 Sets	5 Sets	5 Sets	5 Sets	5 Sets	5 Sets
300	3 Sets	3 Sets	3 Sets	5 Sets	5 Sets	5 Sets	5 Sets	5 Sets	5 Sets
400	5 Sets	5 Sets	5 Sets	7 Sets	7 Sets	7 Sets	7 Sets	7 Sets	7 Sets
500	5 Sets	5 Sets	5 Sets	7 Sets	7 Sets	7 Sets	7 Sets	7 Sets	7 Sets
600	5 Sets	5 Sets	5 Sets	7 Sets	7 Sets	7 Sets	7 Sets	7 Sets	7 Sets

### Recommended Quantities of Bolt and Nut For Integrated Cable Tray Connections



## Integrated Perforated Cable Trays - Return Flanges

Geçmeli Tip Kablo Kanalı - Интегрированные Перфорированные лотки



Important!  
Joining cable tray sections together only use  
Screw Sets CFS M6 or CFS M8

### Pre - Galvanised

FPK ... H60		0.6mm		kg	pcs
CODE	Width a mm	Length L mm	kg	1 pc	pcs
FPK 605 06 PG	50	3000	0.71	2	
FPK 607 06 PG	75	3000	0.81	2	
FPK 610 06 PG	100	3000	0.90	2	
FPK 612 06 PG	125	3000	0.99	2	
FPK 615 06 PG	150	3000	1.09	2	
FPK 620 06 PG	200	3000	1.28	2	

FPK ... H60		0.7mm		kg	pcs
CODE	Width a mm	Length L mm	kg	1 pc	pcs
FPK 605 07 PG	50	3000	0.89	2	
FPK 607 07 PG	75	3000	1.01	2	
FPK 610 07 PG	100	3000	1.12	2	
FPK 612 07 PG	125	3000	1.24	2	
FPK 615 07 PG	150	3000	1.36	2	
FPK 620 07 PG	200	3000	1.59	2	

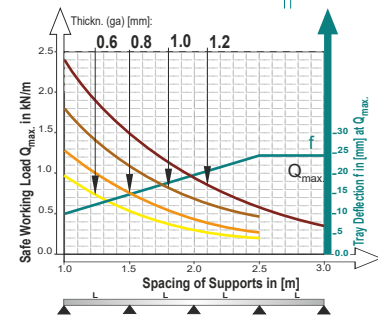
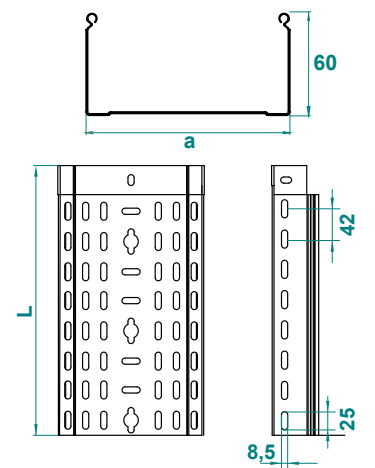
FPK ... H60		0.8mm		kg	pcs
CODE	Width a mm	Length L mm	kg	1 pc	pcs
FPK 605 08 PG	50	3000	0.94	2	
FPK 607 08 PG	75	3000	1.07	2	
FPK 610 08 PG	100	3000	1.19	2	
FPK 612 08 PG	125	3000	1.32	2	
FPK 615 08 PG	150	3000	1.45	2	
FPK 620 08 PG	200	3000	1.70	2	
FPK 622 08 PG	225	3000	1.82	2	
FPK 625 08 PG	250	3000	1.95	2	
FPK 630 08 PG	300	3000	2.20	2	

FPK ... H60		1.0mm		kg	pcs
CODE	Width a mm	Length L mm	kg	1 pc	pcs
FPK 605 10 PG	50	3000	1.18	2	
FPK 607 10 PG	75	3000	1.33	2	
FPK 610 10 PG	100	3000	1.49	2	
FPK 612 10 PG	125	3000	1.64	2	
FPK 615 10 PG	150	3000	1.80	2	
FPK 620 10 PG	200	3000	2.11	2	
FPK 622 10 PG	225	3000	2.27	2	
FPK 625 10 PG	250	3000	2.43	2	
FPK 630 10 PG	300	3000	2.74	2	
FPK 640 10 PG	400	3000	3.37	2	
FPK 645 10 PG	450	3000	3.53	2	
FPK 650 10 PG	500	3000	3.84	2	
FPK 660 10 PG	600	3000	4.44	2	

FPK ... H60		1.2mm		kg	pcs
CODE	Width a mm	Length L mm	kg	1 pc	pcs
FPK 645 12 PG	450	3000	4.42	2	
FPK 650 12 PG	500	3000	4.80	2	
FPK 660 12 PG	600	3000	5.55	2	

### FPK H60



This diagram comply with IEC 61537 with connection to 1/5 of the span and the end span = 0.8x the span

Q = max. admissible load (kg/m)

L = support distance (m)

f = Deflection (mm) / Max. deflection = L/100

Safety co-efficient = 1.5

Width	Usable Cross-Section
50	29 cm <sup>2</sup>
100	58 cm <sup>2</sup>
150	88 cm <sup>2</sup>
200	118 cm <sup>2</sup>
300	178 cm <sup>2</sup>
400	238 cm <sup>2</sup>
500	298 cm <sup>2</sup>
600	358 cm <sup>2</sup>

### APPLICATIONS

Cable routing

### MATERIAL

Steel, strip-galv. acc. to the Sendzimir method to TS-EN 10346:2011 (PG)

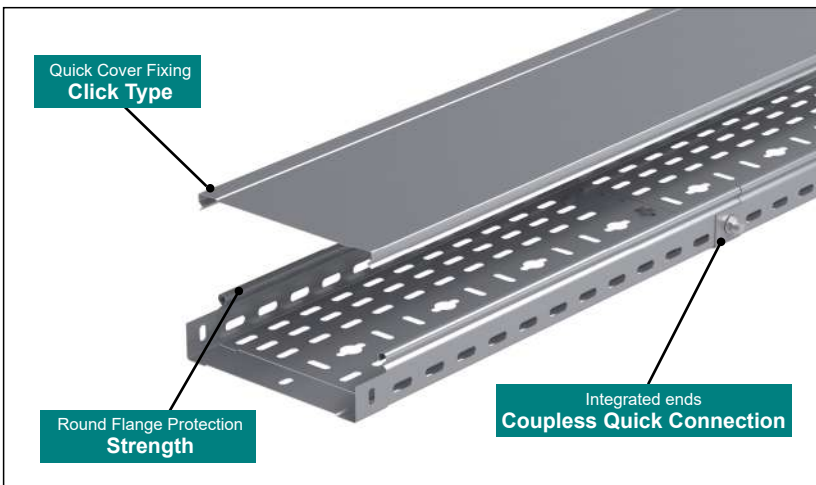
Available finishes:

HDG-steel, hot-dip galv. to TS-EN ISO 1461:2011 (HDG)

SS- stainless steel AISI 304L and AISI 316L (SS)

EP- powder coating in a full range of colours (RAL)

Thickn. (ga) [mm]: **0.6 0.8 1.0 1.2**



### Recommended Quantities of Bolt and Nut For Integrated Cable Tray Connections

Width Of Cable Tray	W	H	40	50	60	75	80	85	100
			50	2 Sets	2 Sets	2 Sets	-	-	-
100	3 Sets	3 Sets	3 Sets	5 Sets	5 Sets	5 Sets	5 Sets		
150	3 Sets	3 Sets	3 Sets	5 Sets	5 Sets	5 Sets	5 Sets		
200	3 Sets	3 Sets	3 Sets	5 Sets	5 Sets	5 Sets	5 Sets		
250	3 Sets	3 Sets	3 Sets	5 Sets	5 Sets	5 Sets	5 Sets		
300	3 Sets	3 Sets	3 Sets	5 Sets	5 Sets	5 Sets	5 Sets		
400	5 Sets	5 Sets	5 Sets	7 Sets	7 Sets	7 Sets	7 Sets		
500	5 Sets	5 Sets	5 Sets	7 Sets	7 Sets	7 Sets	7 Sets		
600	5 Sets	5 Sets	5 Sets	7 Sets	7 Sets	7 Sets	7 Sets		

### Recommended Quantities of Bolt and Nut For Integrated Cable Tray Connections





# Cable Trays - System of Side Height H60



## Integrated Perforated Cable Trays - Return Flanges

Geçmeli Tip Kablo Kanalı - Интегрированные Перфорированные лотки



Important!  
Joining cable tray sections together only use  
Screw Sets CFS M6 or CFS M8

### Pre - Galvanised

FDK ... H60		0.6mm		kg	pcs
CODE	Width a mm	Length L mm	kg	1 pc	pcs
FDK 605 06 PG	50	3000	0.89	2	
FDK 607 06 PG	75	3000	1.01	2	
FDK 610 06 PG	100	3000	1.13	2	
FDK 612 06 PG	125	3000	1.24	2	
FDK 615 06 PG	150	3000	1.36	2	
FDK 620 06 PG	200	3000	1.60	2	

FDK ... H60		0.7mm		kg	pcs
CODE	Width a mm	Length L mm	kg	1 pc	pcs
FDK 605 07 PG	50	3000	1.04	2	
FDK 607 07 PG	75	3000	1.18	2	
FDK 610 07 PG	100	3000	1.31	2	
FDK 612 07 PG	125	3000	1.45	2	
FDK 615 07 PG	150	3000	1.59	2	
FDK 620 07 PG	200	3000	1.86	2	

FDK ... H60		0.8mm		kg	pcs
CODE	Width a mm	Length L mm	kg	1 pc	pcs
FDK 605 08 PG	50	3000	1.18	2	
FDK 607 08 PG	75	3000	1.34	2	
FDK 610 08 PG	100	3000	1.49	2	
FDK 612 08 PG	125	3000	1.65	2	
FDK 615 08 PG	150	3000	1.81	2	
FDK 620 08 PG	200	3000	2.12	2	
FDK 622 08 PG	225	3000	2.28	2	
FDK 625 08 PG	250	3000	2.44	2	
FDK 630 08 PG	300	3000	2.75	2	

FDK ... H60		1.0mm		kg	pcs
CODE	Width a mm	Length L mm	kg	1 pc	pcs
FDK 605 10 PG	50	3000	1.47	2	
FDK 607 10 PG	75	3000	1.66	2	
FDK 610 10 PG	100	3000	1.86	2	
FDK 612 10 PG	125	3000	2.05	2	
FDK 615 10 PG	150	3000	2.25	2	
FDK 620 10 PG	200	3000	2.64	2	
FDK 622 10 PG	225	3000	2.84	2	
FDK 625 10 PG	250	3000	3.04	2	
FDK 630 10 PG	300	3000	3.43	2	
FDK 640 10 PG	400	3000	4.21	2	
FDK 645 10 PG	450	3000	4.24	2	
FDK 650 10 PG	500	3000	4.80	2	
FDK 660 10 PG	600	3000	5.55	2	

FDK ... H60		1.2mm		kg	pcs
CODE	Width a mm	Length L mm	kg	1 pc	pcs
FDK 645 12 PG	450	3000	5.53	2	
FDK 650 12 PG	500	3000	6.00	2	
FDK 660 12 PG	600	3000	6.94	2	

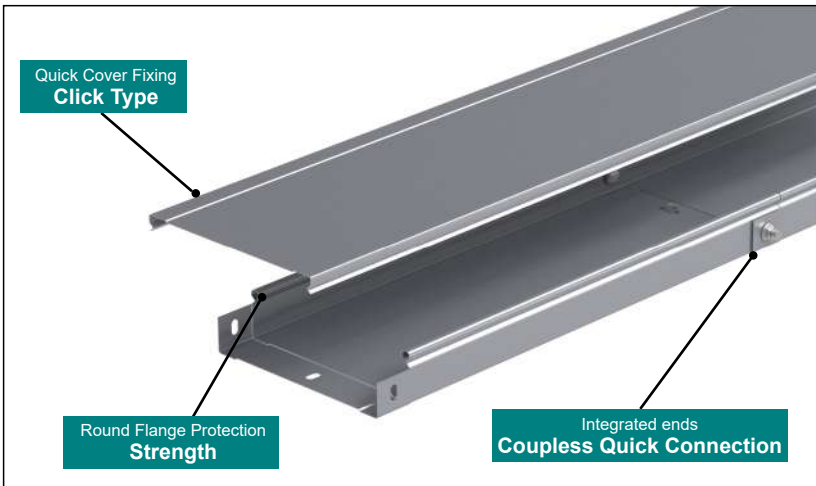
**FDK H60**

This diagram complies with IEC 61537 with connection to 1/5 of the span and the end span = 0,8x the span  
 Q = max. admissible load (kg/m)  
 L = support distance (m)  
 f = Deflection (mm) / Max. deflection = L/100  
 Safely co-efficient = 1.5

Width	Usable Cross-Section
50	29 cm <sup>2</sup>
100	58 cm <sup>2</sup>
150	88 cm <sup>2</sup>
200	118 cm <sup>2</sup>
300	178 cm <sup>2</sup>
400	236 cm <sup>2</sup>
500	298 cm <sup>2</sup>
600	358 cm <sup>2</sup>

Available finishes:  
 HDG-steel, hot-dip galv. to TS-EN ISO 1461:2011 (HDG)  
 SS- stainless steel AISI 304L and AISI 316L (SS)  
 EP- powder coating in a full range of colours (RAL)

Thickn. (ga) [mm]: **0.6 0.8 1.0 1.2**



Recommended Quantities of Bolt and Nut For Integrated Cable Tray Connections								
W	H	40	50	60	75	80	85	100
Width Of Cable Tray	50	2 Sets	2 Sets	2 Sets	-	-	-	-
	100	3 Sets	3 Sets	3 Sets	5 Sets	5 Sets	5 Sets	5 Sets
	150	3 Sets	3 Sets	3 Sets	5 Sets	5 Sets	5 Sets	5 Sets
	200	3 Sets	3 Sets	3 Sets	5 Sets	5 Sets	5 Sets	5 Sets
	250	3 Sets	3 Sets	3 Sets	5 Sets	5 Sets	5 Sets	5 Sets
	300	3 Sets	3 Sets	3 Sets	5 Sets	5 Sets	5 Sets	5 Sets
400	5 Sets	5 Sets	5 Sets	7 Sets	7 Sets	7 Sets	7 Sets	
500	5 Sets	5 Sets	5 Sets	7 Sets	7 Sets	7 Sets	7 Sets	
600	5 Sets	5 Sets	5 Sets	7 Sets	7 Sets	7 Sets	7 Sets	

### Recommended Quantities of Bolt and Nut For Integrated Cable Tray Connections



# Cable Trays - System of Side Height H80



## Integrated Perforated Cable Trays - Return Flanges

Geçmeli Tip Kablo Kanalı - Интегрированные Перфорированные лотки

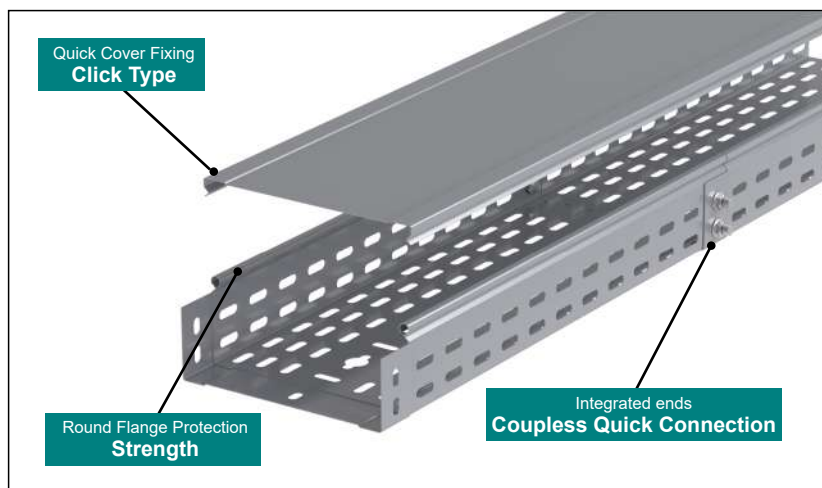


Important!  
Joining cable tray sections together only use  
Screw Sets CFS M6 or CFS M8

### Pre - Galvanised

FPK ... H80		0.6mm		
CODE	Width a mm	Length L mm	kg 1 pc	pcs
FPK 807 06 PG	75	3000	0.96	2
FPK 810 06 PG	100	3000	1.05	2
FPK 812 06 PG	125	3000	1.14	2
FPK 815 06 PG	150	3000	1.24	2
FPK 820 06 PG	200	3000	1.43	2
FPK ... H80		0.7mm		
CODE	Width a mm	Length L mm	kg 1 pc	pcs
FPK 807 07 PG	75	3000	1.12	2
FPK 810 07 PG	100	3000	1.22	2
FPK 812 07 PG	125	3000	1.34	2
FPK 815 07 PG	150	3000	1.45	2
FPK 820 07 PG	200	3000	1.66	2
FPK ... H80		0.8mm		
CODE	Width a mm	Length L mm	kg 1 pc	pcs
FPK 807 08 PG	75	3000	1.27	2
FPK 810 08 PG	100	3000	1.39	2
FPK 812 08 PG	125	3000	1.52	2
FPK 815 08 PG	150	3000	1.65	2
FPK 820 08 PG	200	3000	1.90	2
FPK 822 08 PG	225	3000	2.02	2
FPK 825 08 PG	250	3000	2.15	2
FPK 830 08 PG	300	3000	2.40	2

FPK ... H80		1.0mm		
CODE	Width a mm	Length L mm	kg 1 pc	pcs
FPK 807 10 PG	75	3000	1.58	2
FPK 810 10 PG	100	3000	1.74	2
FPK 812 10 PG	125	3000	1.90	2
FPK 815 10 PG	150	3000	2.05	2
FPK 820 10 PG	200	3000	2.37	2
FPK 822 10 PG	225	3000	2.52	2
FPK 825 10 PG	250	3000	2.68	2
FPK 830 10 PG	300	3000	2.99	2
FPK 840 10 PG	400	3000	3.62	2
FPK 845 10 PG	450	3000	3.77	2
FPK 850 10 PG	500	3000	4.08	2
FPK 860 10 PG	600	3000	4.68	2
FPK ... H80		1.2mm		
CODE	Width a mm	Length L mm	kg 1 pc	pcs
FPK 807 12 PG	75	3000	1.90	2
FPK 810 12 PG	100	3000	2.08	2
FPK 812 12 PG	120	3000	2.27	2
FPK 815 12 PG	150	3000	2.46	2
FPK 820 12 PG	200	3000	2.84	2
FPK 822 12 PG	225	3000	3.02	2
FPK 825 12 PG	250	3000	3.22	2
FPK 830 12 PG	300	3000	3.59	2
FPK 840 12 PG	400	3000	4.34	2
FPK 845 12 PG	450	3000	4.72	2
FPK 850 12 PG	500	3000	5.10	2
FPK 860 12 PG	600	3000	5.85	2



**FPK H80**

This diagram comply with IEC 61537 with connection to 1/5 of the span and the end span = 0,8x the span  
 Q = max. admissible load (kg/m)  
 L = support distance (m)  
 f = Deflection (mm) / Max. deflection = L/100  
 Safety co-efficient = 1.5

Width	Usable Cross-Section
50	38 cm <sup>2</sup>
100	78 cm <sup>2</sup>
150	118 cm <sup>2</sup>
200	158 cm <sup>2</sup>
300	238 cm <sup>2</sup>
400	318 cm <sup>2</sup>
500	398 cm <sup>2</sup>
600	478 cm <sup>2</sup>

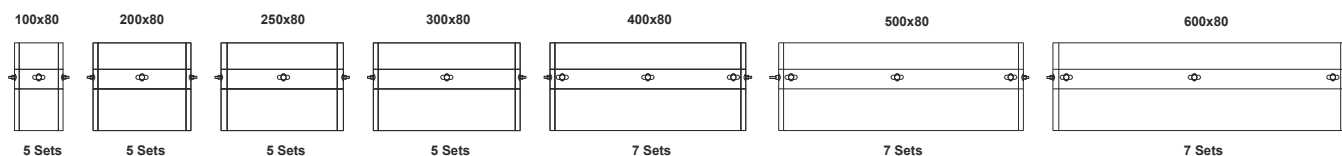
Available finishes:  
 HDG-steel, hot-dip galv. to TS-EN ISO 1461:2011 (HDG)  
 SS- stainless steel AISI 304L and AISI 316L (SS)  
 EP- powder coating in a full range of colours (RAL)

Thickn. (ga) [mm]: **0.6 0.8 1.0 1.2**

### Recommended Quantities of Bolt and Nut For Integrated Cable Tray Connections

Width Of Cable Tray	W	H	Recommended Quantities of Bolt and Nut						
			40	50	60	75	80	85	100
50	2 Sets	2 Sets	2 Sets	-	-	-	-	-	
100	3 Sets	3 Sets	3 Sets	5 Sets	5 Sets	5 Sets	5 Sets	5 Sets	
150	3 Sets	3 Sets	3 Sets	5 Sets	5 Sets	5 Sets	5 Sets	5 Sets	
200	3 Sets	3 Sets	3 Sets	5 Sets	5 Sets	5 Sets	5 Sets	5 Sets	
250	3 Sets	3 Sets	3 Sets	5 Sets	5 Sets	5 Sets	5 Sets	5 Sets	
300	3 Sets	3 Sets	3 Sets	5 Sets	5 Sets	5 Sets	5 Sets	5 Sets	
400	5 Sets	5 Sets	5 Sets	7 Sets	7 Sets	7 Sets	7 Sets	7 Sets	
500	5 Sets	5 Sets	5 Sets	7 Sets	7 Sets	7 Sets	7 Sets	7 Sets	
600	5 Sets	5 Sets	5 Sets	7 Sets	7 Sets	7 Sets	7 Sets	7 Sets	

### Recommended Quantities of Bolt and Nut For Integrated Cable Tray Connections



# Cable Trays - System of Side Height H80



## Integrated Perforated Cable Trays - Return Flanges

Geçmeli Tip Kablo Kanalı - Интегрированные Перфорированные лотки



Important!  
Joining cable tray sections together only use  
Screw Sets CFS M6 or CFS M8

### Pre - Galvanised

FDK ... H80					0.6mm				
CODE	Width a mm	Length L mm	kg	pcs	CODE	Width a mm	Length L mm	kg	pcs
FDK 807 06 PG	75	3000	0.96	2	FDK 807 10 PG	75	3000	1.58	2
FDK 810 06 PG	100	3000	1.05	2	FDK 810 10 PG	100	3000	1.74	2
FDK 812 06 PG	125	3000	1.14	2	FDK 812 10 PG	125	3000	1.90	2
FDK 815 06 PG	150	3000	1.24	2	FDK 815 10 PG	150	3000	2.05	2
FDK 820 06 PG	200	3000	1.43	2	FDK 820 10 PG	200	3000	2.37	2

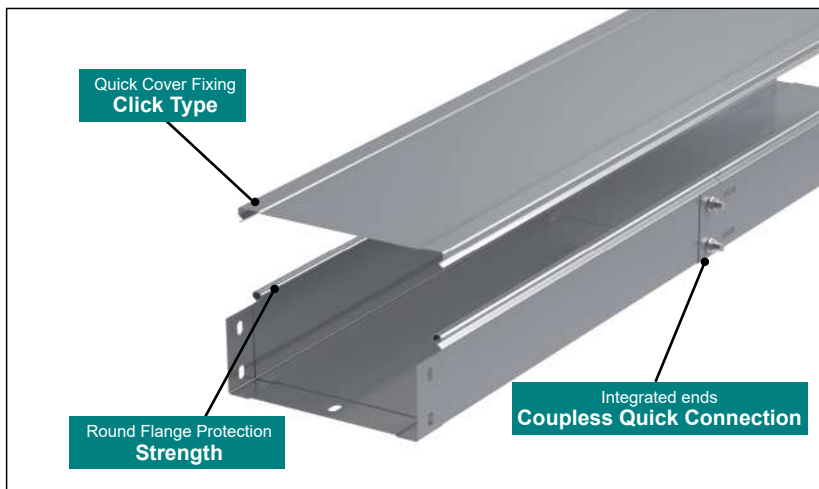
  

FDK ... H80					0.7mm				
CODE	Width a mm	Length L mm	kg	pcs	CODE	Width a mm	Length L mm	kg	pcs
FDK 807 07 PG	75	3000	1.12	2	FDK 822 10 PG	225	3000	2.52	2
FDK 810 07 PG	100	3000	1.22	2	FDK 825 10 PG	250	3000	2.68	2
FDK 812 07 PG	125	3000	1.34	2	FDK 830 10 PG	300	3000	2.99	2
FDK 815 07 PG	150	3000	1.45	2	FDK 840 10 PG	400	3000	3.62	2
FDK 820 07 PG	200	3000	1.66	2	FDK 845 10 PG	450	3000	3.77	2

FDK ... H80					0.8mm				
CODE	Width a mm	Length L mm	kg	pcs	CODE	Width a mm	Length L mm	kg	pcs
FDK 807 08 PG	75	3000	1.27	2	FDK 822 12 PG	225	3000	3.02	2
FDK 810 08 PG	100	3000	1.39	2	FDK 825 12 PG	250	3000	3.22	2
FDK 812 08 PG	125	3000	1.52	2	FDK 830 12 PG	300	3000	3.59	2
FDK 815 08 PG	150	3000	1.65	2	FDK 840 12 PG	400	3000	4.34	2
FDK 820 08 PG	200	3000	1.90	2	FDK 845 12 PG	450	3000	4.72	2
FDK 822 08 PG	225	3000	2.02	2	FDK 850 12 PG	500	3000	5.10	2
FDK 825 08 PG	250	3000	2.15	2	FDK 860 12 PG	600	3000	5.85	2
FDK 830 08 PG	300	3000	2.40	2					

FDK ... H80					1.0mm				
CODE	Width a mm	Length L mm	kg	pcs	CODE	Width a mm	Length L mm	kg	pcs
FDK 807 10 PG	75	3000	1.58	2	FDK 822 12 PG	225	3000	3.02	2
FDK 810 10 PG	100	3000	1.74	2	FDK 825 12 PG	250	3000	3.22	2
FDK 812 10 PG	125	3000	1.90	2	FDK 830 12 PG	300	3000	3.59	2
FDK 815 10 PG	150	3000	2.05	2	FDK 840 12 PG	400	3000	4.34	2
FDK 820 10 PG	200	3000	2.37	2	FDK 845 12 PG	450	3000	4.72	2
FDK 822 10 PG	225	3000	2.52	2	FDK 850 12 PG	500	3000	5.10	2
FDK 825 10 PG	250	3000	2.68	2	FDK 860 12 PG	600	3000	5.85	2
FDK 830 10 PG	300	3000	2.99	2					
FDK 840 10 PG	400	3000	3.62	2					
FDK 845 10 PG	450	3000	3.77	2					
FDK 850 10 PG	500	3000	4.08	2					
FDK 860 10 PG	600	3000	4.68	2					



**FDK H80**

Thickn. (ga) [mm]: 0.6 0.8 1.0 1.2 1.5

Safe Working Load  $Q_{max}$  in kN/m

Spacing of Supports in [m]

Tray Deflection (in [mm]) at  $Q_{max}$

This diagram comply with IEC 61537 with connection to 1/5 of the span and the end span = 0,8x the span  
 $Q$  = max. admissible load (kg/m)  
 $L$  = support distance (m)  
 $f$  = Deflection (mm) / Max. deflection =  $L/100$   
 Safety co-efficient = 1.5

Width	Usable Cross-Section
50	38 cm <sup>2</sup>
100	78 cm <sup>2</sup>
150	118 cm <sup>2</sup>
200	158 cm <sup>2</sup>
300	238 cm <sup>2</sup>
400	318 cm <sup>2</sup>
500	398 cm <sup>2</sup>
600	478 cm <sup>2</sup>

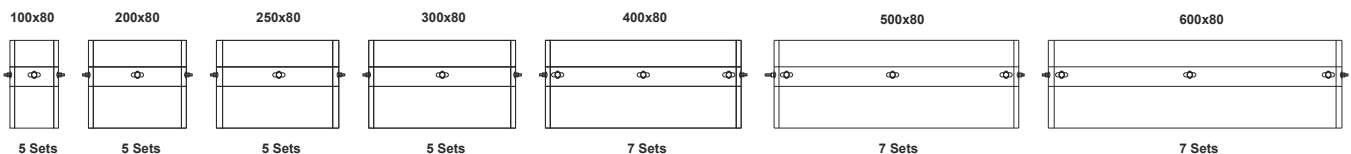
APPLICATIONS  
Cable routing

MATERIAL  
Steel, strip-galv. acc. to the Sendzimir method to TS-EN 10346:2011 (PG)  
Available finishes:  
HDG-steel, hot-dip galv. to TS-EN ISO 1461:2011 (HDG)  
SS- stainless steel AISI 304L and AISI 316L (SS)  
EP- powder coating in a full range of colours (RAL)

Thickn. (ga) [mm]: 0.6 0.8 1.0 1.2

Recommended Quantities of Bolt and Nut For Integrated Cable Tray Connections									
Width Of Cable Tray	W	H	40	50	60	75	80	85	100
	50	2 Sets	2 Sets	2 Sets	—	—	—	—	—
100	3 Sets	3 Sets	3 Sets	5 Sets	5 Sets	5 Sets	5 Sets	5 Sets	5 Sets
150	3 Sets	3 Sets	3 Sets	5 Sets	5 Sets	5 Sets	5 Sets	5 Sets	5 Sets
200	3 Sets	3 Sets	3 Sets	5 Sets	5 Sets	5 Sets	5 Sets	5 Sets	5 Sets
250	3 Sets	3 Sets	3 Sets	5 Sets	5 Sets	5 Sets	5 Sets	5 Sets	5 Sets
300	3 Sets	3 Sets	3 Sets	5 Sets	5 Sets	5 Sets	5 Sets	5 Sets	5 Sets
400	5 Sets	5 Sets	5 Sets	7 Sets	7 Sets	7 Sets	7 Sets	7 Sets	7 Sets
500	5 Sets	5 Sets	5 Sets	7 Sets	7 Sets	7 Sets	7 Sets	7 Sets	7 Sets
600	5 Sets	5 Sets	5 Sets	7 Sets	7 Sets	7 Sets	7 Sets	7 Sets	7 Sets

### Recommended Quantities of Bolt and Nut For Integrated Cable Tray Connections





## Integrated Perforated Cable Trays - Return Flanges

Geçmeli Tip Kablo Kanalı - Интегрированные Перфорированные лотки

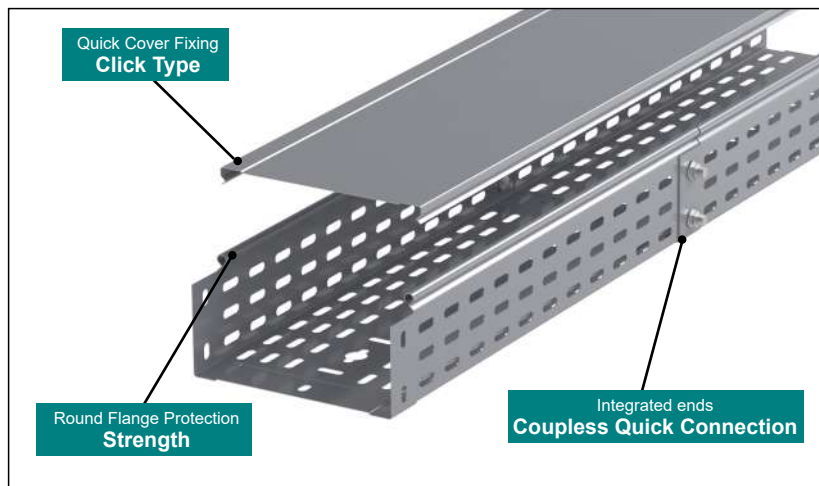


Important!  
Joining cable tray sections together only use  
Screw Sets CFS M6 or CFS M8

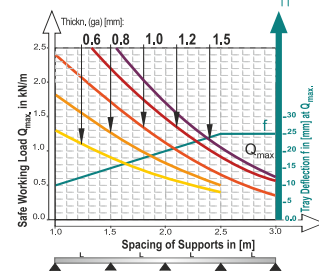
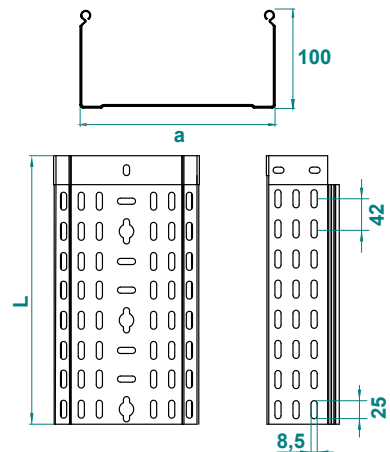
### Pre - Galvanised

FPK ... H100		0.6mm		
CODE	Width a mm	Length L mm	KG 1 pc	pcs
FPK 110 06 PG	100	3000	1.20	2
FPK 112 06 PG	125	3000	1.30	2
FPK 115 06 PG	150	3000	1.39	2
FPK 120 06 PG	200	3000	1.58	2
FPK ... H100		0.7mm		
CODE	Width a mm	Length L mm	KG 1 pc	pcs
FPK 110 07 PG	100	3000	1.40	2
FPK 112 07 PG	125	3000	1.51	2
FPK 115 07 PG	150	3000	1.62	2
FPK 120 07 PG	200	3000	1.84	2
FPK ... H100		0.8mm		
CODE	Width a mm	Length L mm	KG 1 pc	pcs
FPK 110 08 PG	100	3000	1.60	2
FPK 112 08 PG	125	3000	1.72	2
FPK 115 08 PG	150	3000	1.85	2
FPK 120 08 PG	200	3000	2.10	2
FPK 122 08 PG	225	3000	2.22	2
FPK 125 08 PG	250	3000	2.35	2
FPK 130 08 PG	300	3000	2.60	2

FPK ... H100		1.0mm		
CODE	Width a mm	Length L mm	KG 1 pc	pcs
FPK 110 10 PG	100	3000	1.99	2
FPK 112 10 PG	125	3000	2.14	2
FPK 115 10 PG	150	3000	2.30	2
FPK 120 10 PG	200	3000	2.62	2
FPK 122 10 PG	225	3000	2.78	2
FPK 125 10 PG	250	3000	2.93	2
FPK 130 10 PG	300	3000	3.25	2
FPK 140 10 PG	400	3000	3.87	2
FPK 145 10 PG	450	3000	4.01	2
FPK 150 10 PG	500	3000	4.32	2
FPK 160 10 PG	600	3000	4.92	2
FPK ... H100		1.2mm		
CODE	Width a mm	Length L mm	KG 1 pc	pcs
FPK 110 12 PG	100	3000	2.38	2
FPK 112 12 PG	125	3000	2.58	2
FPK 115 12 PG	150	3000	2.76	2
FPK 120 12 PG	200	3000	3.14	2
FPK 122 12 PG	225	3000	3.33	2
FPK 125 12 PG	250	3000	3.51	2
FPK 130 12 PG	300	3000	3.90	2
FPK 140 12 PG	400	3000	4.65	2
FPK 145 12 PG	450	3000	5.02	2
FPK 150 12 PG	500	3000	5.40	2
FPK 160 12 PG	600	3000	6.15	2



### FPK H100



This diagram comply with IEC 61537 with connection to 1/5 of the span and the end span = 0,8x the span  
Q = max. admissible load (kg/m)  
L = support distance (m)  
f = Deflection (mm) / Max. deflection = L/100  
Safely co-efficient = 1.5



Width	Usable Cross-Section
100	98 cm <sup>2</sup>
150	148 cm <sup>2</sup>
200	198 cm <sup>2</sup>
300	298 cm <sup>2</sup>
400	398 cm <sup>2</sup>
500	498 cm <sup>2</sup>
600	598 cm <sup>2</sup>

APPLICATIONS  
Cable routing

### MATERIAL

Steel, strip-galv. acc. to the Sendzimir method to TS-EN 10346:2011 (PG)

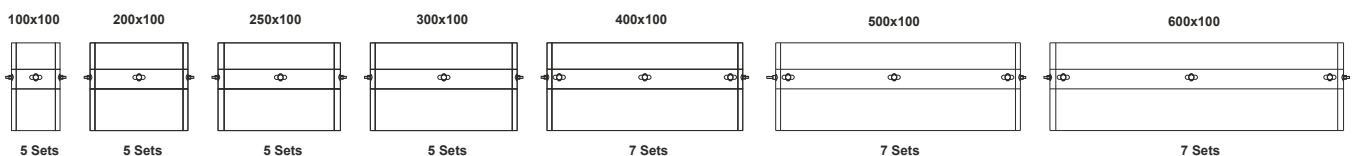
Available finishes:

- HDG-steel, hot-dip galv. to TS-EN ISO 1461:2011 (HDG)
- SS- stainless steel AISI 304L and AISI 316L (SS)
- EP- powder coating in a full range of colours (RAL)

Thickn. (ga) [mm]: **0.6 | 0.8 | 1.0 | 1.2**

Recommended Quantities of Bolt and Nut For Integrated Cable Tray Connections									
Width Of Cable Tray	W	H	40	50	60	75	80	85	100
	50	2 Sets	2 Sets	2 Sets	—	—	—	—	—
100	3 Sets	3 Sets	3 Sets	5 Sets	5 Sets	5 Sets	5 Sets	5 Sets	5 Sets
150	3 Sets	3 Sets	3 Sets	5 Sets	5 Sets	5 Sets	5 Sets	5 Sets	5 Sets
200	3 Sets	3 Sets	3 Sets	5 Sets	5 Sets	5 Sets	5 Sets	5 Sets	5 Sets
250	3 Sets	3 Sets	3 Sets	5 Sets	5 Sets	5 Sets	5 Sets	5 Sets	5 Sets
300	3 Sets	3 Sets	3 Sets	5 Sets	5 Sets	5 Sets	5 Sets	5 Sets	5 Sets
400	5 Sets	5 Sets	5 Sets	7 Sets	7 Sets	7 Sets	7 Sets	7 Sets	7 Sets
500	5 Sets	5 Sets	5 Sets	7 Sets	7 Sets	7 Sets	7 Sets	7 Sets	7 Sets
600	5 Sets	5 Sets	5 Sets	7 Sets	7 Sets	7 Sets	7 Sets	7 Sets	7 Sets

### Recommended Quantities of Bolt and Nut For Integrated Cable Tray Connections



## Integrated Perforated Cable Trays - Return Flanges

Geçmeli Tip Kablo Kanalı - Интегрированные Перфорированные лотки



Important!  
Joining cable tray sections together only use  
Screw Sets CFS M6 or CFS M8

### Pre - Galvanised

FDK ... H100		0.6mm			
CODE	Width a mm	Length L mm	KG 1 pc	pcs	
FDK 110 06 PG	100	3000	1.50	2	
FDK 112 06 PG	125	3000	1.62	2	
FDK 115 06 PG	150	3000	1.74	2	
FDK 120 06 PG	200	3000	1.97	2	

FDK ... H100		0.7mm			
CODE	Width a mm	Length L mm	KG 1 pc	pcs	
FDK 110 07 PG	100	3000	1.75	2	
FDK 112 07 PG	125	3000	1.89	2	
FDK 115 07 PG	150	3000	2.03	2	
FDK 120 07 PG	200	3000	2.30	2	

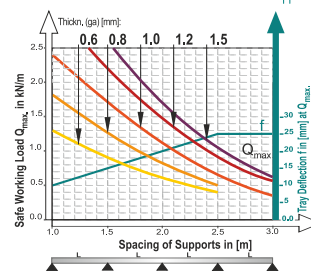
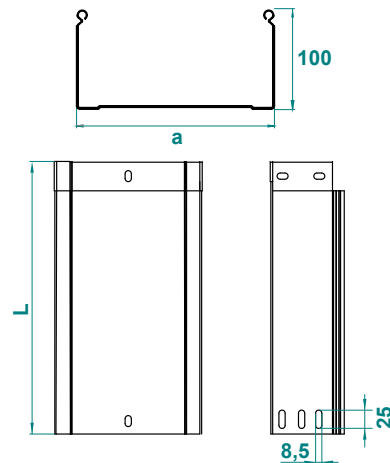
FDK ... H100		0.8mm			
CODE	Width a mm	Length L mm	KG 1 pc	pcs	
FDK 110 08 PG	100	3000	2.00	2	
FDK 112 08 PG	125	3000	2.15	2	
FDK 115 08 PG	150	3000	2.31	2	
FDK 120 08 PG	200	3000	2.62	2	
FDK 122 08 PG	225	3000	2.78	2	
FDK 125 08 PG	250	3000	2.94	2	
FDK 130 08 PG	300	3000	3.25	2	

FDK ... H100		1.0mm			
CODE	Width a mm	Length L mm	KG 1 pc	pcs	
FDK 110 10 PG	100	3000	2.49	2	
FDK 112 10 PG	125	3000	2.68	2	
FDK 115 10 PG	150	3000	2.88	2	
FDK 120 10 PG	200	3000	3.27	2	
FDK 122 10 PG	225	3000	3.47	2	
FDK 125 10 PG	250	3000	3.66	2	
FDK 130 10 PG	300	3000	4.06	2	
FDK 140 10 PG	400	3000	4.84	2	
FDK 145 10 PG	450	3000	5.02	2	
FDK 150 10 PG	500	3000	5.40	2	
FDK 160 10 PG	600	3000	6.15	2	

FDK ... H100		1.2mm			
CODE	Width a mm	Length L mm	KG 1 pc	pcs	
FDK 110 12 PG	100	3000	2.89	2	
FDK 112 12 PG	125	3000	3.22	2	
FDK 115 12 PG	150	3000	3.45	2	
FDK 120 12 PG	200	3000	3.92	2	
FDK 122 12 PG	225	3000	4.16	2	
FDK 125 12 PG	250	3000	4.39	2	
FDK 130 12 PG	300	3000	4.87	2	
FDK 140 12 PG	400	3000	5.81	2	
FDK 145 12 PG	450	3000	6.28	2	
FDK 150 12 PG	500	3000	6.75	2	
FDK 160 12 PG	600	3000	7.69	2	

### FDK H100



This diagram comply with IEC 61537 with connection to 1/5 of the span and the end span = 0,8x the span  
 $Q = \text{max. admissible load (kg/m)}$   
 $L = \text{support distance (m)}$   
 $f = \text{Deflection (mm)} / \text{Max. deflection} = L/100$   
 Safely co-efficient = 1.5



Width	Usable Cross-Section
100	98 cm <sup>2</sup>
150	148 cm <sup>2</sup>
200	198 cm <sup>2</sup>
300	298 cm <sup>2</sup>
400	398 cm <sup>2</sup>
500	498 cm <sup>2</sup>
600	598 cm <sup>2</sup>

APPLICATIONS  
Cable routing

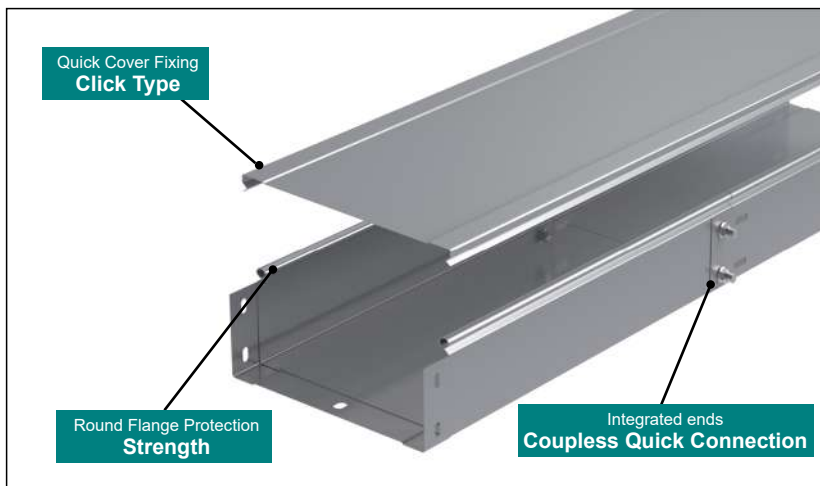
### MATERIAL

Steel, strip-galv. acc. to the Sendzimir method to TS-EN 10346:2011 (PG)

Available finishes:

- HDG-steel, hot-dip galv. to TS-EN ISO 1461:2011 (HDG)
- SS- stainless steel AISI 304L and AISI 316L (SS)
- EP- powder coating in a full range of colours (RAL)

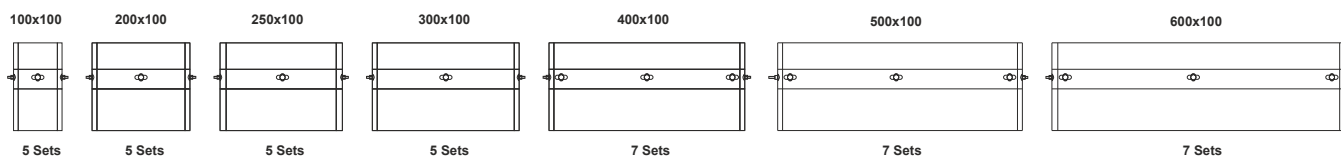
Thickn. (ga) [mm]: **0.6 | 0.8 | 1.0 | 1.2**



### Recommended Quantities of Bolt and Nut For Integrated Cable Tray Connections

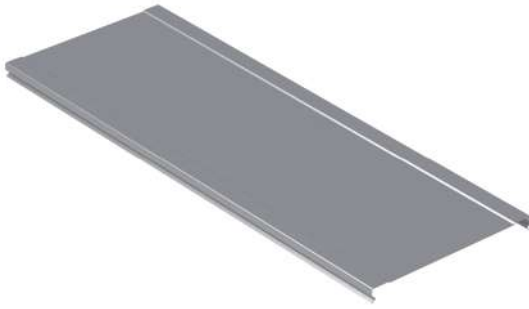
Width Of Cable Tray	W	H	Recommended Quantities of Bolt and Nut						
			40	50	60	75	80	85	100
50	2 Sets	2 Sets	2 Sets	—	—	—	—	—	—
100	3 Sets	3 Sets	3 Sets	5 Sets	5 Sets	5 Sets	5 Sets	5 Sets	5 Sets
150	3 Sets	3 Sets	3 Sets	5 Sets	5 Sets	5 Sets	5 Sets	5 Sets	5 Sets
200	3 Sets	3 Sets	3 Sets	5 Sets	5 Sets	5 Sets	5 Sets	5 Sets	5 Sets
250	3 Sets	3 Sets	3 Sets	5 Sets	5 Sets	5 Sets	5 Sets	5 Sets	5 Sets
300	3 Sets	3 Sets	3 Sets	5 Sets	5 Sets	5 Sets	5 Sets	5 Sets	5 Sets
400	5 Sets	5 Sets	5 Sets	7 Sets	7 Sets	7 Sets	7 Sets	7 Sets	7 Sets
500	5 Sets	5 Sets	5 Sets	7 Sets	7 Sets	7 Sets	7 Sets	7 Sets	7 Sets
600	5 Sets	5 Sets	5 Sets	7 Sets	7 Sets	7 Sets	7 Sets	7 Sets	7 Sets

### Recommended Quantities of Bolt and Nut For Integrated Cable Tray Connections



## Cover of Cable Tray

Kablo Kanalı Karađı - Крышка лотков



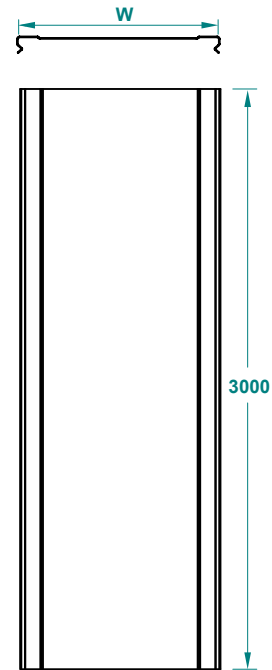
**Important!**  
Joining cable tray sections together only use  
Screw Sets CFS M6 or CFS M8

### Pre - Galvanised

FKK ...		0.6mm			
CODE	Width a mm	Length L mm	KG 1 pc	pcs	
FKK 05 06 PG	50	3000	0.38	2	
FKK 07 06 PG	75	3000	0.50	2	
FKK 10 06 PG	100	3000	0.62	2	
FKK 12 06 PG	125	3000	0.74	2	
FKK 15 06 PG	150	3000	0.85	2	
FKK 20 06 PG	200	3000	1.09	2	
		0.7mm			
CODE	Width a mm	Length L mm	KG 1 pc	pcs	
FKK 05 07 PG	50	3000	0.44	2	
FKK 07 07 PG	75	3000	0.58	2	
FKK 10 07 PG	100	3000	0.72	2	
FKK 12 07 PG	125	3000	0.86	2	
FKK 15 07 PG	150	3000	0.99	2	
FKK 20 07 PG	200	3000	1.27	2	
		0.8mm			
CODE	Width a mm	Length L mm	KG 1 pc	pcs	
FKK 05 08 PG	50	3000	0.51	2	
FKK 07 08 PG	75	3000	0.66	2	
FKK 10 08 PG	100	3000	0.82	2	
FKK 12 08 PG	125	3000	0.98	2	
FKK 15 08 PG	150	3000	1.14	2	
FKK 20 08 PG	200	3000	1.45	2	
FKK 22 08 PG	225	3000	1.61	2	
FKK 25 08 PG	250	3000	1.76	2	
FKK 30 08 PG	300	3000	2.08	2	

FKK		1.0mm			
CODE	Width a mm	Length L mm	KG 1 pc	pcs	
FKK 05 10 PG	50	3000	0.63	2	
FKK 07 10 PG	75	3000	0.83	2	
FKK 10 10 PG	100	3000	1.03	2	
FKK 12 10 PG	125	3000	1.22	2	
FKK 15 10 PG	150	3000	1.42	2	
FKK 20 10 PG	200	3000	1.81	2	
FKK 22 10 PG	225	3000	2.01	2	
FKK 25 10 PG	250	3000	2.20	2	
FKK 30 10 PG	300	3000	2.60	2	
FKK 40 10 PG	400	3000	3.38	2	
FKK 45 10 PG	450	3000	3.60	2	
FKK 50 10 PG	500	3000	4.00	2	
FKK 60 10 PG	600	3000	4.75	2	
		1.2mm			
CODE	Width a mm	Length L mm	KG 1 pc	pcs	
FKK 05 12 PG	50	3000	0.76	2	
FKK 07 12 PG	75	3000	0.99	2	
FKK 10 12 PG	100	3000	1.23	2	
FKK 12 12 PG	125	3000	1.47	2	
FKK 15 12 PG	150	3000	1.70	2	
FKK 20 12 PG	200	3000	2.17	2	
FKK 22 12 PG	225	3000	2.41	2	
FKK 25 12 PG	250	3000	2.64	2	
FKK 30 12 PG	300	3000	3.11	2	
FKK 40 12 PG	400	3000	4.06	2	
FKK 45 12 PG	450	3000	4.53	2	
FKK 50 12 PG	500	3000	5.00	2	
FKK 60 12 PG	600	3000	5.94	2	

FKK



### APPLICATIONS

Cable routing

### MATERIAL

Steel, strip-galv. acc. to the Sendzimir method  
to TS-EN 10346:2011 (PG)

Available finishes:

HDG-steel, hot-dip galv. to TS-EN ISO 1461:2011 (HDG)  
SS- stainless steel AISI 304L and AISI 316L (SS)  
EP- powder coating in a full range of colours (RAL)

Thickn. (ga) [mm]: **0.6|0.8|1.0|1.2**

### Mounting Example

